

XT26 day/night analogue series

Explosion proof PTZ
with illuminator
camera station



Overview

The Oxalis XT26 is an explosion protected PTZ camera station with integral illumination, designed for use in hazardous areas in onshore, offshore, marine and heavy industrial environments.

The camera stations are designed for longevity in harsh environments with minimal maintenance.

The illuminator has an integrated light sensor for automatic operation and utilises high efficiency IR LEDs for up to 100m range.

Features

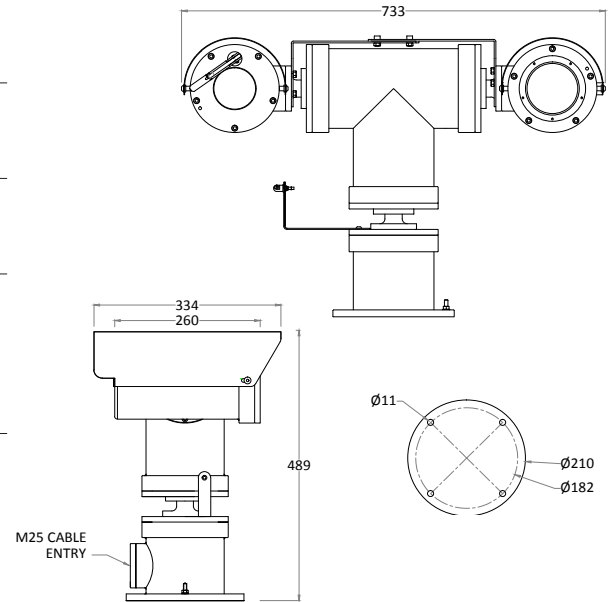
- ATEX, IECEx, Class 1 Division 1 certified
 - Electro-polished 316L stainless steel on all welded assemblies
 - Camera station window in toughened glass
 - Pole or wall mounting options (see separate datasheets)
 - Supply voltage options (24 VAC, 110 or 230 VAC, 50/60Hz)
 - Operating temperature from -60°C to +70°C*
 - IP66/67
- *Model dependent



Certifications

| | | | |
|--------------------|--|-------------------|--|
| ATEX | II 2 G Ex db (op pr) IIC T4 Gb -60°C to +70°C II 2 D Ex tb (op pr) IIIC T140°C Db IP6x On request: T135 -60°C to +65°C Certificate: ITS16ATEX101021X | TR CU, EAC | 1 Ex db (op pr) IIC T4 Gb -60°C to +70°C Ex tb (op pr) IIIC T140°C Db IP6x On request: T135 -60°C to +65°C Certificate: TCRUCGB.TB04.B00587 |
| IECEX | Ex db (op pr) IIC T4 Gb -60°C to +70°C Ex tb (op pr) IIIC T140°C Db IP6x On request: T135 -60°C to +65°C Certificate: IECEX ITS 15.0068X | CCOE | Ex db (op pr) IIC T4 Gb -60°C to +70°C Ex tb (op pr) IIIC T140°C Db IP6x On request: T135 -60°C to +65°C Certificate: P400546/1 |
| INMETRO | Ex db (op pr) IIC T4 Gb -60°C to +70°C Ex tb (op pr) IIIC T140°C Db IP6x On request: T135 -60°C to +65°C Certificate: UL-BR 17.0063X | CNEX | Ex db (op pr) IIC T4 Gb -60°C to +70°C Ex tb (op pr) IIIC T140°C Db IP6x On request: T135 -60°C to +65°C Certificate: 17.1235X |
| cLus CI/ DI | Class I, Division 1, Groups B, C, D, -60°C ≤ T _a ≤ 60°C T4 Class II, Division 1, Groups E, F, G IP67 CSA-C22.2 No:30-M1986 No:25-1966(R2009) CSA-C22.2 No:60065-03(R2012) & UL1203, UL60065(ED.7) Certificate: 11671-1S (Gas) / 11677-1S (Dust) | CERTEX | Ex db (op pr) IIC T4 Gb -60°C to +70°C Ex tb (op pr) IIIC T140°C Db IP6x On request: T135 -60°C to +65°C Certificate: S-XLP/17.0244X |

General arrangement drawing (all dimensions in mm)



Specifications

Certification part number P&T 2420-01, illuminator housing 2410-04-IR, camera housing options 2410-04, 2410-05

| | |
|------------------------------------|---|
| Features | |
| Sun shield | Standard stainless steel 316L mirror finish |
| Integral wiper | Optional (silicone wiper blades that are resistant and do not perish after long exposure to ozone, UV, ice, snow, heat or cold) |
| Integral demister | Standard |
| Washer systems | Compatible with Oxalis XWP washer tanks (see separate datasheets) |
| Pan speed (maximum) | 45° per second |
| Tilt speed (maximum) | 24° per second |
| Pre-set positional accuracy | 64 presets: positional accuracy ±0.1° |
| Telemetry receiver | Integral - Pelco D, P standard protocols (others to specification) |
| Rotation | Continuous pan or 350° rotation (+/- 175° from straight ahead) |
| Integral illumination | 100m optimum range (maximum range 175m depending on camera technology, light conditions and object reflectivity) |
| Analogue direct fibre out | Optional singlemode 9/125µm or multimode 50/125µm video and data fibre optic transmission, mounted inside the camera station |
| Ingress protection rating | IP66/67 |
| Type approval | DNVGL-CG-0339, 2016 (copper transmission only) |
| Electrical | |
| Supply voltage options | 24 VAC, 110-230 VAC, 50/60Hz |
| Power consumption | 100W maximum (158W with low temperature operation) |
| Electrical connections | Terminal block for power, data and video specific to camera configuration |
| Cable entry | Single M25 entry located in base |
| Mechanical | |
| Body material | Electro-polished 316L stainless steel on all welded assemblies |
| Fixings material | A4 stainless steel |
| Camera station window | Toughened glass |
| Mounting options | Pole or wall (see separate datasheets) |
| Operating temperature | From -60°C to +70°C (model dependent) |
| Weight (Kg) | Up to 58.5 Kg depending on configuration |
| Camera options | |
| 1/4" CCD 36x zoom camera | |
| Image sensor | 1/4" EXview HAD CCD (progressive scan) |
| Resolution | High resolution mode on: 550 TV lines (default) |
| Lens | 36x zoom 3.4-122.4 mm F1.6 to F4.5, horizontal angle of view 57.8°- 1.7°, 12X digital zoom, auto focus, auto iris |
| Min. illumination | 1/60 s, 1/50 s mode: 1.4 Lux, 1/4 s, 1/3 s mode: 0.1 Lux, 1/4 s, 1/3 s mode & ICR On: 0.01 Lux |
| S/N ratio | >50dB |
| Features | ATW, day & night auto/colour / BW (IR-Cut filter removable), camera title ON/OFF |

Ordering requirements

The following code is designed to help in selection of the correct unit. Build up the reference number by inserting the code for each component into the appropriate box

| | | | | | | | | | | | | | | |
|------|--|--|--|--|--|--|--|--|--|--|--|--|--|--|
| XT26 | | | | | | | | | | | | | | |
|------|--|--|--|--|--|--|--|--|--|--|--|--|--|--|

| Housing type | Code |
|-----------------------|------|
| Visual camera housing | V |

| Wiper options | Code |
|---|------|
| Integral wiper with switched 24VAC for external washer pump | E |
| No wiper | N |

| Video type | Code |
|----------------|------|
| Analogue video | A |

| Day/night module | Code |
|--------------------------|------|
| 1/4" CCD 36x zoom camera | 4 |
| Customer specific camera | C |

| Thermal core module | Code |
|---------------------|------|
| No thermal core | N |

| Thermal core lens | Code |
|-------------------------|------|
| No thermal imaging lens | N |

| Video system | Code |
|--------------|------|
| PAL | P |
| NTSC | N |

| Supply voltage | Code |
|--------------------------------|------|
| 24 VAC ±10% 50/60 Hz | 1 |
| 110 VAC ±10% 50/60 Hz | 2 |
| 230 VAC ±10% 50/60 Hz | 3 |
| Special - price on application | S |

| Transmission type | Code |
|---|------|
| Standard electrical | 0 |
| Simplex singlemode 9/125µm video/data | 1 |
| Simplex multimode 50/125µm video/data | 2 |
| Customer specific fibre transmission device | C |

| Temperature type | Code |
|---------------------|------|
| T4, -20°C to +70°C* | A |
| T4, -40°C to +70°C* | B |
| T4, -20°C to +60°C | 1 |
| T4, -40°C to +60°C | 2 |
| T4, -60°C to +40°C | 3 |

* Subject to configuration restrictions

| Certification | Code |
|---------------|------|
| ATEX | A |
| IECEX | I |
| INMETRO | M |
| cLCus C1, D1 | Z |
| TR CU, EAC | R |
| CCOE | D |
| CNEX | X |
| CERTEX | T |

| Protocol requirements | Code |
|-------------------------------------|------|
| Pelco D protocol, baud rate 2400bps | D |
| Pelco P protocol, baud rate 4800bps | P |
| Vicon protocol, baud rate 4800bps | V |
| HERNIS™ protocol | H |
| Coe protocol | C |
| Special - price on application | S |

| Camera rotation | Code |
|-------------------------------------|------|
| Continuous rotation | 1 |
| Pan rotation restricted to +/- 175° | 2 |