

XT40 HD IP series

Explosion proof, PTZ
with illuminator camera
station



Overview

The Oxalis XT40 is an explosion protected PTZ camera station with integral illumination, designed for use in hazardous areas in onshore, offshore, marine and heavy industrial environments.

The camera stations are designed for longevity in harsh environments with minimal maintenance.

The illuminator has an integrated light sensor for automatic operation and utilises high efficiency IR LEDs for up to 100m range.

Features

- ATEX, IECEx, Class 1 Division 1 certified
- Electro-polished 316L stainless steel on all welded assemblies
- Camera station window in toughened glass
- Pole or wall mounting options (see separate datasheets)
- Supply voltage options (24 VAC, 110 or 230 VAC, 50/60Hz)
- Operating temperature from -60°C to +70°C*
- IP66/67

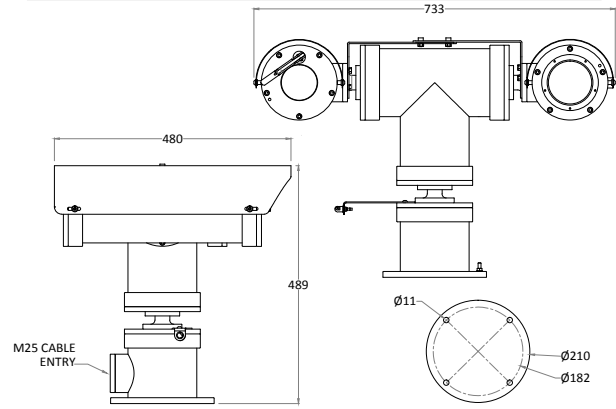
*Model dependent



Certifications

ATEX	II 2 G Ex db (op pr) IIC T4 Gb -60°C to +70°C II 2 D Ex tb (op pr) IIIC T140°C Db IP6x On request: T135 -60°C to +65°C Certificate: ITS16ATEX101021X	TR CU, EAC	1 Ex db (op pr) IIC T4 Gb -60°C to +70°C Ex tb (op pr) IIIC T140°C Db IP6x On request: T135 -60°C to +65°C Certificate: TCRUCGB.TB04.B00587
IECEX	Ex db (op pr) IIC T4 Gb -60°C to +70°C Ex tb (op pr) IIIC T140°C Db IP6x On request: T135 -60°C to +65°C Certificate: IECEX ITS 15.0068X	CCOE	Ex db (op pr) IIC T4 Gb -60°C to +70°C Ex tb (op pr) IIIC T140°C Db IP6x On request: T135 -60°C to +65°C Certificate: P400546/1
INMETRO	Ex db (op pr) IIC T4 Gb -60°C to +70°C Ex tb (op pr) IIIC T140°C Db IP6x On request: T135 -60°C to +65°C Certificate: ULBR 170063X	CNEX	Ex db (op pr) IIC T4 Gb -60°C to +70°C Ex tb (op pr) IIIC T140°C Db IP6x On request: T135 -60°C to +65°C Certificate: 17.1235X
cLus C1/D1	Class I, Division 1, Groups B, C, D, -60°C ≤ T ≤ 60°C T4 Class II, Division 1, Groups E, F, G IP67. CSA-C22.2 No:30-M1986 No:25-1966(R2009) CSA-C22.2 No:60065-03(R2012) & UL1203, UL60065(ED.7) Certificate: 11671-1S (Gas) / 11677-1S (Dust)	CERTEX	Ex db (op pr) IIC T4 Gb -60°C to +70°C Ex tb (op pr) IIIC T140°C Db IP6x On request: T135 -60°C to +65°C Certificate: S-XLP/170244X

General arrangement drawing (all dimensions in mm)



Specifications

Certification part number P&T 2420-01, illuminator housing 2410-04-IR, camera housing options 1410-25, 1410-10

Features	Electrical
Sun shield Standard stainless steel 316L mirror finish	Supply voltage options 24 VAC, 110 or 230 VAC, 50/60Hz
Integral wiper Optional (Silicone wiper blades that are resistant and do not perish after long exposure to ozone, UV, ice, snow, heat or cold)	Power consumption 100W maximum (158W with low temperature operation)
Integral demister Standard	Electrical connections Terminal block for power and data specific to camera configuration
Washer systems Compatible with Oxalis XWP washer tanks (see separate datasheets)	Cable entry Single M25 entry located in base
Pan speed (maximum) 45° per second	Mechanical
Tilt speed (maximum) 24° per second	Body material Electro-polished 316L stainless steel on all welded assemblies
Pre-set positional accuracy 64 presets: positional accuracy ±0.1°	Fixings material A4 stainless steel
Telemetry receiver Integral - Pelco D	Camera station window Toughened glass
Rotation Continuous pan or 350° rotation (+/- 175° from straight ahead)	Mounting options Pole or wall (see separate datasheets)
Integral illumination IR nano-stack LED technology, internally powered from camera station, range up to 100m (depending on camera), 12° angle, 850nm wavelength. Auto switching from ambient light sensor or auxiliary command	Operating temperature From -60°C to +70°C (model dependent)
IP direct fibre out Optional media converter, simplex singlemode 9/125µm or multimode 50/125µm, 10/100Mb ethernet, IEEE 802.3,	Weight (Kg) Up to 62 Kg depending on configuration
IP over coax Optional integrated IP ethernet-over-coax converter (must be used with compatible Rx equipment)	Ingress protection rating IP66/67
	Type approval DNV 2.4 2006 ABCD (copper transmission only)

Camera options

30x zoom 1080p network camera	20x zoom 1080p network camera
Image sensor 1/2.8" Exmor CMOS	Image sensor Progressive scan CMOS 1/2.8"
Resolution 1920x1080 @60fps to 352x240	Resolution 1920x1080 30fps
Lens 30x zoom 4.3-129 mm F1.6 to F4.7, horizontal angle of view 67.7° - 2.3°, 12X digital zoom, auto focus, auto iris	Lens 20x zoom 4.7-94mm F1.6 to F3.5, angle of view 61.4° - 2.9°, 10X digital zoom, auto focus, auto iris
Min. illumination Colour ICR-Off: 0.35 Lux (1/30 Sec, 50IRE) 0.05 Lux (1/4 sec, 1/3 sec, 50IRE). B/W ICR-On: 0.013 lx (1/30 sec, 50IRE) 0.002 lx (1/4 sec, 1/3 sec, 30IRE)	Min. illumination Color: 0.05Lux @ (F1.6, AGC ON) B/W: 0.01Lux @ (F1.6, AGC ON)
Streaming Primary: H.264, secondary x3: H.264/MJPEG, VBR/CBR	Streaming Dual streams in H.264 and motion JPEG, VBR/CBR
Features AGC, AE, AWB, TDN, DNR, BLC, ACCE, DSS, WDR, EIS, defog, OSD	Features BLC, AGC, AWB, WDR, DNR, OSD, day & night auto/colour / BW (IR-Cut filter removable)
Standards protocols ONVIF Profile S, PSIA - IPv4/6, TCP, UDP, HTTP, HTTPS, IGMP(Multicast), DHCP, FTP, RTP, RTSP, SNMP, SMTP, UPnP, DDNS, WS-Discovery, zero configuration	Standards protocols ONVIF, PSIA, CGI - TCP/IP, HTTP, DHCP, DNS, DDNS, RTP, RTSP, PPPoE, SMTP, NTP, UPnP, SNMP, FTP, 802.1x, QoS, HTTPS, IPv6
18x Q1765 network camera	32x SNZ-6320 HD IP camera
Image sensor Progressive scan RGB CMOS 1/2.9"	Image sensor Progressive scan CMOS 1/2.8"
Resolution 1920x1080 (HDTV 1080p) to 320x180	Resolution Resolution: 1920x1080 @60fps to 320x180
Lens 18x zoom 4.7-84.6 mm F1.6 to F2.8, angle of view 59° - 4°, 12X digital zoom, auto focus, auto iris	Lens 32x optical 16x digital zoom 4.44-142.6 mm F1.6 to F4.4, horizontal angle of view 62.8° - 2.23°
Min. illumination Color: 0.5 lux at 30 IRE F1.6, B/W: 0.04 lux at 30 IRE F1.6	Min. illumination Colour : 0.3Lux (1/30sec, F1.6, 50IRE), B/W : 0.03Lux (1/30sec, F1.6, 50IRE)
Streaming Multiple, individually configurable streams in H.264 and motion JPEG, VBR/CBR	Streaming H.264, MJPEG dual codec, multiple streaming, VBR/CBR
Features BLC, AGC, AWB, WDR, OSD, day & night auto/colour / BW (IR-Cut filter removable)	Features Intelligent video analytics, motion detection, day & night (ICR), WDR (120dB), auto focus, auto Iris, AGC, SSSDR, ATW, SSSNR, BLC, DIS, Defog
Standards protocols ONVIF, IPv4/v6, HTTP, HTTPS, SSL/TLS, QoS Layer 3 DiffServ, FTP, CIFS/SMB, SMTP, Bonjour, UPnP, SNMPv1/v2c/v3 (MIB-II), DNS, DynDNS, NTP, RTSP, RTP, TCP, UDP, IGMP, RTCP, ICMP, DHCP, ARP, SOCKS	Standards protocols ONVIF Profile S, TCP/IP, UDP/IP, RTP(UDP), RTCP(TCP), RTSP, NTP, HTTP, HTTPS, SSL, DHCP, FTP, SMTP, ICMP, IGMP, SNMPv1/v2c/v3(MIB-2), ARP, DNS, DDNS, QoS, PIM-SM, UPnP, Bonjour
30x zoom 2.1MP network camera	
Image Sensor Progressive scan CMOS 1/2.8"	
Resolution 1920x1080 30fps	
Lens 30x zoom 4.3-129mm F1.6 to F5.05, Angle of View 65.1° - 2.34°, 10X digital zoom, Auto Focus, Auto Iris	
Min. Illumination Color: 0.05Lux @ (F1.6, AGC ON) B/W: 0.01Lux @ (F1.6, AGC ON)	
Streaming Dual streams in H.264 and Motion JPEG, VBR/CBR	
Features BLC, AGC, AWB, WDR, DNR, OSD, Day & Night Auto/Colour / BW (IR-Cut Filter Removable)	
Standards Protocols ONVIF, PSIA, CGI - TCP/IP, HTTP, DHCP, DNS, DDNS, RTP, RTSP, SMTP, NTP, UPnP, SNMP, FTP, 802.1x, QoS, HTTPS, IPv6	

Ordering requirements

The following code is designed to help in selection of the correct unit. Build up the reference number by inserting the code for each component into the appropriate box

XT40														
------	--	--	--	--	--	--	--	--	--	--	--	--	--	--

Housing type	Code
Visual camera housing	V

Wiper options	Code
Integral wiper with switched 24VAC for external washer pump	E
No wiper	N

Video type	Code
HD IP system	I

Day/night module	Code
30x zoom 1080p network camera	9
18x Q1765 network camera	B
20x zoom 1080p network camera	H
32x zoom HD IP camera	D
30x zoom 2.1MP network camera	M
Customer specific camera	C

Thermal core module	Code
No thermal core	N

Thermal core lens	Code
No thermal imaging lens	N

Video system	Code
IP	I

Supply voltage	Code
24 VAC ±10% 50/60 Hz	1
110 VAC ±10% 50/60 Hz	2
230 VAC ±10% 50/60 Hz	3
Special - price on application	S

Transmission type	Code
Standard electrical	0
Simplex singlemode 9/125µm ethernet	3
Simplex multimode 50/125µm ethernet	4
IP over coax	5
Customer specific transmission device	C

Temperature type	Code
T4, -20°C to +70°C*	A
T4, -40°C to +70°C*	B
T4, -20°C to +60°C	1
T4, -40°C to +60°C	2
T4, -60°C to +40°C	3

* Subject to configuration restrictions

Certification	Code
ATEX	A
IECEX	I
INMETRO	M
cLCus C1, D1	Z
GOST-R	R
CCOE	D
CNEX	X
CERTEX	T

Protocol requirements	Code
Pelco D protocol, baud rate 2400bps	D

Camera rotation	Code
Continuous rotation	1
Pan rotation restricted to +/- 175°	2