

XT40 day/night IP hybrid series

Explosion proof PTZ
with illuminator
camera station



Overview

The Oxalis XT40 is an explosion protected PTZ camera station with integral illumination, designed for use in hazardous areas in onshore, offshore, marine and heavy industrial environments.

The camera stations are designed for longevity in harsh environments with minimal maintenance.

The illuminator has an integrated light sensor for automatic operation and utilises high efficiency IR LEDs for up to 100m range.

Features

- ATEX, IECEx, Class 1 Division 1 certified
- Electro-polished 316L stainless steel on all welded assemblies
- Camera station window in toughened glass
- Pole or wall mounting options (see separate datasheets)
- Supply voltage options (24 VAC, 110 or 230 VAC, 50/60Hz)
- Operating temperature from -60°C to +60°C*
- IP66/67

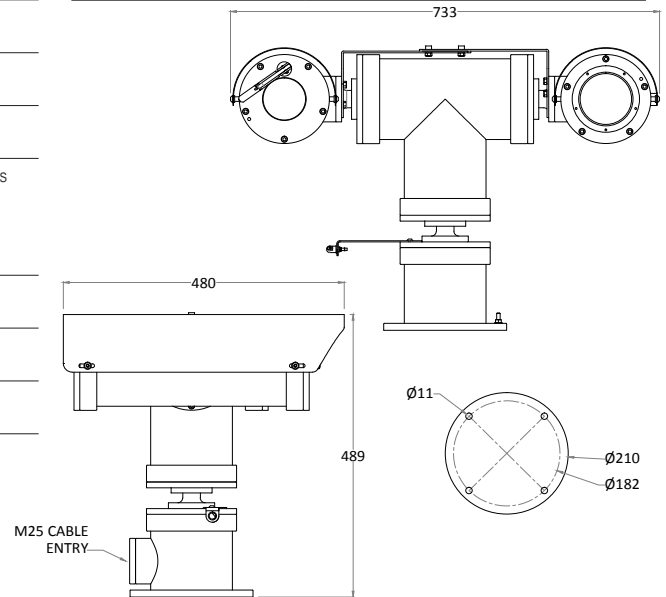
*Model dependent



Certifications

ATEX	II 2 G Ex db (op pr, op is) IIC T4 Gb. II 2 D Ex tb (op pr, op is) IIIC T135°C Db IP6x Certificate Number: ITS16ATEX101021X
IECEX	Ex db (op pr, op is) IIC T4 Gb. Ex tb (op pr, op is) IIIC T135°C Db IP6x Certificate Number:IECEX ITS 15.0068X
INMETRO	Ex d IIC T4 Gb -60° C ≤Ta ≤+60°C Ex tb IIIC T135° C Db IP66/67 Certificate Number: TUV 12.1080X / TUV 12.1081X
cLus C1/D1	Class I, Division 1, Groups B, C, D, -60° C ≤Ta ≤60°C T4/ Class II, Division 1, Groups E, F, G IP67 CSA-C22.2 No:30-M1986 No:25-1966(R2009) CSA-C22.2 No:60065-03(R2012) & UL1203,UL60065(ED.7) Certificate Number: 11671-1S / 11677-1S
TR CU GOST	IEEx d IIC T4X -60° C ≤Ta ≤+60° C Ex tb IIIC T135° C Db IP67 Certificate Number: TCRUGB.r6.B00318
CCOE	Ex d IIC -60° C ≤Ta ≤+60° C Gb Ex tb IIIC T130° C Db IP6x Certificate Number: P306928/1/2
CNEX	Ex d IIC T4/T5/T6 GB / Ex tb IIIC 135° C Db IP6X Certificate Number: 132.2980X / 13.2981X
CERTEX	II 2 G Ex d (op pr) IIC T4 II 2 D Ex tb IIIC T135° C Db IP6x Certificate Number: S-XPL-14.1340X

General arrangement drawing (all dimensions in mm)



Specifications

Certification part number	P&T 2420-01, illuminator housing 2410-04-IR, camera housing options 1410-25, 1410-10
Features	
Sun shield	Standard stainless steel 316L mirror finish
Integral wiper	Optional (silicone wiper blades that are resistant and do not perish after long exposure to ozone, UV, ice, snow, heat or cold)
Integral demister	Standard
Washer systems	Compatible with Oxalis XWP Washer tanks (see separate datasheets)
Pan speed (maximum)	45° per second
Tilt speed (maximum)	24° per second
Pre-set positional accuracy	64 presets: positional accuracy±0.1°
Telemetry receiver	Integral - Pelco D, P standard protocols (others to specification)
Rotation	Continuous pan or 350° rotation (+/- 175° from straight ahead)
Integral illumination	IR nano-stack LED technology, internally powered from camera station, range up to 100m (depending on camera), 12° angle, 850nm wavelength Auto switching from ambient light sensor or auxiliary command
Integral IP encoder	Includes integral video encoder, H.264 / M-JPEG/MPEG-4, low latency, triple streaming, D1, 2CIF, CIF and VGA resolution, 25fps (30fps - NTSC) for use with analogue camera modules Optional nonstandard encoder, subject to acceptance, conformity to regulation and testing
IP direct fibre out	Optional media converter, simplex singlemode 9/125µm or multimode 50/125µm, 10/100Mb ethernet, IEEE 802.3
IP over coax	Optional integrated IP ethernet-over-coax converter (must be used with compatible Rx equipment)
Electrical	
Supply voltage options	24 VAC, 110 or 230 VAC, 50/60Hz
Power consumption	100W maximum (158W with low temperature operation)
Electrical connections	Terminal block for power and data specific to camera configuration
Cable entry	Single M25 entry located in base
Mechanical	
Body material	Electro-polished 316L stainless steel on all welded assemblies
Fixings material	A4 stainless steel
Camera station window	Toughened glass
Mounting options	Pole or wall (see separate datasheets)
Operating temperature	From -60° to +60° (model dependent)
Weight (Kg)	Up to 62 Kg depending on configuration
Ingress protection rating	IP66/67
Camera options	
1/4" CCD 36x zoom camera	
Image sensor	1/4" EXview HAD CCD (progressive scan)
Resolution	High resolution mode on: 550 TV lines (default)
Lens	36x zoom 3.4-122.4 mm F1.6 to F4.5, horizontal angle of view 57.8° - 1.7° , 12X digital zoom, auto focus, auto iris
Min. illumination	1/60 s, 1/50 s mode: 1.4 Lux, 1/4 s, 1/3 s mode: 0.1 Lux, 1/4 s, 1/3 s mode& ICR On: 0.01 Lux
S/N ratio	>50dB
Features	ATW, day & night auto/colour / BW (IR-Cut filter removable), camera title ON/OFF

Ordering requirements

The following code is designed to help in selection of the correct unit. Build up the reference number by inserting the code for each component into the appropriate box

XT40

Housing type	Code
Visual camera housing	V

Wiper options	Code
Integral wiper with switched 24VAC for external washer pump	E
No wiper	N

Video type	Code
Integral IP video encoder	H
Hybrid analogue IP system with nonstandard IP encoder	S

Day/night module	Code
1/4" CCD 36x zoom camera	4
Customer specific camera	C

Thermal core module	Code
No thermal core	N

Thermal core lens	Code
No thermal imaging lens	N

Video system	Code
PAL	P
NTSC	N

Supply voltage	Code
24 VAC ±10% 50/60 Hz	1
110 VAC ±10% 50/60 Hz	2
230 VAC ±10% 50/60 Hz	3
Special - price on application	S

Transmission type	Code
Standard electrical	0
Simplex singlemode 9/125µm ethernet	3
Simplex multimode 50/125µm ethernet	4
IP over coax	5
Customer specific fibre transmission device	C

Temperature type	Code
T4, -20°C to +60°C	1
T4, -40°C to +60°C	2
T4, -60°C to +40°C	3

Certification	Code
ATEX	A
IECEX	I
INMETRO	M
cLCus C1, D1	Z
GOST-R	R
CCOE	D
CNEX	X
CERTEX	T

Protocol requirements	Code
Pelco D protocol, baud rate 2400bps	D
Pelco P protocol, baud rate 4800bps	P
Vicon protocol, baud rate 4800bps	V
HERNIS™ protocol	H
Coe protocol	C
Special - price on application	S

Camera rotation	Code
Continuous rotation	1
Pan rotation restricted to +/- 175°	2