

# XT40 HD IP series - UL range

PTZ with illuminator  
camera station,  
hazardous location



## Overview

The Oxalis XT40 is an explosion protected twin PTZ camera station with the addition of a high efficiency automated integral LED illuminator for use in hazardous areas in onshore, offshore, marine and heavy industrial environments.

The camera housings are designed specifically for the Americas markets or where UL standards on Class and Division have been specified.

The base unit carries dual NPT cable entries with easy access for cable termination during installation as standard, maximising compatibility and ease of use with existing fixed conduit installations.

Our camera stations are designed and manufactured for longevity in harsh environments, require minimal maintenance and are fully certified to UL standards as required by OSHA in both safe and hazardous areas.

See separate datasheet for ATEX/IECEx & other zone certification ranges

## Features

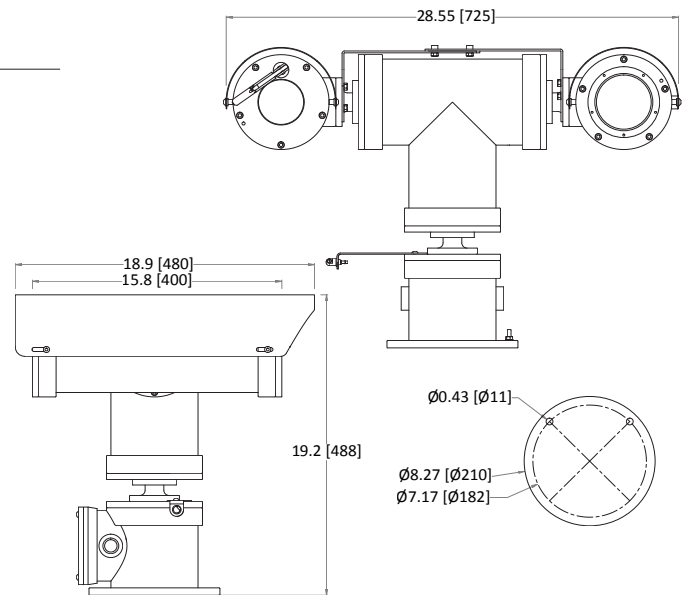
- Class 1 Division 1 and Zone 1 certified
- Electro-polished 316L stainless steel on all welded assemblies
- Camera station window in toughened glass
- Pole or wall mounting options (see separate datasheets)
- NPT entries as standard
- Various camera module options
- Options also available for IP, analogue, hybrid, IP over Coax and direct fibre out\* - see specific datasheet
- Supply voltage options (24 VAC, 110 or 230 VAC, 50/60Hz)
- Certified temperature -58°F to +158°F\*
- IP66/67

\*Model dependent

## Certifications

UL C1/D1	Class I, Division 1, Groups B, C, D, T4A Class II, Division 1, Groups E, F, G IP67 Class 1 Zone 1 A Ex d IIB + Hydrogen T4
----------	--

## General arrangement drawing (dimensions in inches and mm)



## Specifications

<b>Certification part number</b>	P&T OXALIS-UL2420-01, illuminator housing OXALIS-UL2410-04-IR, camera housing options OXALIS-UL1410-25, 1410-10		
<b>Features</b>		<b>Electrical</b>	
<b>Sun shield</b>	Standard stainless steel 316L mirror finish	<b>Supply voltage options</b>	24 VAC, 110 or 230 VAC, 50/60Hz
<b>Integral wiper</b>	Optional (Silicone wiper blades that are resistant and do not perish after long exposure to ozone, UV, ice, snow, heat or cold)	<b>Power consumption</b>	100W maximum (158W with low temperature operation)
<b>Integral demister</b>	Standard	<b>Electrical connections</b>	Terminal block for power and data specific to camera configuration
<b>Washer systems</b>	Compatible with Oxalis XWP washer tanks (see separate datasheets)	<b>Cable entry</b>	2 x ¾" NPT located in base
<b>Pan speed (maximum)</b>	45° per second	<b>Mechanical</b>	
<b>Tilt speed (maximum)</b>	24° per second	<b>Body material</b>	Electro-polished 316L stainless steel on all welded assemblies
<b>Pre-set positional accuracy</b>	64 presets: positional accuracy ±0.1°	<b>Fixings material</b>	A4 stainless steel
<b>Telemetry receiver</b>	Integral - Pelco D standard protocol (others to specification)	<b>Camera station window</b>	Toughened glass
<b>Rotation</b>	Continuous pan or 350° rotation (+/- 175° from straight ahead)	<b>Mounting options</b>	Pole or wall (see separate datasheets)
<b>Integral illumination</b>	IR nano-stack LED technology, internally powered from camera station, range up to 109 yards (depending on camera), 12° angle, 850nm wavelength. Auto switching from ambient light sensor or auxiliary command	<b>Operating temperature</b>	From -58°F to +158°F (model dependent)
<b>IP direct fibre out</b>	Optional integrated media converter, simplex singlemode 9/125µm or multimode 50/125µm, 10/100Mb ethernet, IEEE 802.3,	<b>Weight (lb)</b>	Up to 137lb depending on configuration
<b>IP over coax</b>	Optional integrated IP ethernet-over-coax converter (must be used with compatible Rx equipment)	<b>Ingress protection rating</b>	IP66/67
<b>Camera options</b>			
<b>30x zoom HD IP camera</b>		<b>20x zoom HD IP camera</b>	
<b>Image sensor</b>	1/2.8" Exmor CMOS	<b>Image sensor</b>	Progressive scan CMOS 1/2.8"
<b>Resolution</b>	1920x1080 @60fps to 352x240	<b>Resolution</b>	1920x1080 30fps
<b>Lens</b>	30x zoom 4.3-129 mm F1.6 to F4.7, horizontal angle of view 67.7° - 2.3°, 12X digital zoom, auto focus, auto iris	<b>Lens</b>	20x zoom 4.7-94mm F1.6 to F3.5, angle of view 61.4° - 2.9°, 10X digital zoom, auto focus, auto Iris
<b>Min. illumination</b>	Colour ICR-Off: 0.35 Lux (1/30 Sec, 50IRE) 0.05 Lux (1/4 sec, 1/3 sec, 50IRE) B/W ICR-On: 0.013 lx (1/30 sec, 50IRE) 0.002 lx (1/4 sec, 1/3 sec, 30IRE)	<b>Min. illumination</b>	Color: 0.05Lux @ (F1.6, AGC ON) B/W: 0.01Lux @ (F1.6, AGC ON)
<b>Streaming</b>	Primary: H.264, secondary x3: H.264/MJPEG, VBR/CBR	<b>Streaming</b>	Dual streams in H.264 and motion JPEG, VBR/CBR
<b>Features</b>	AGC, AE, AWB, TDN, DNR, BLC, ACCE, DSS, WDR, EIS, defog, OSD	<b>Features</b>	BLC, AGC, AWB, WDR, DNR, OSD, day & night auto/colour / BW (IR-Cut filter removable)
<b>Standards protocols</b>	ONVIF Profile S, PSIA - IPv4/6, TCP, UDP, HTTP, HTTPS, IGMP(Multicast), DHCP, FTP, RTP RTSP, SNMP, SMTP, UPnP, DDNS, WS-Discovery, zero configuration	<b>Standards protocols</b>	ONVIF Profile S, PSIA, CGI - TCP/IP, HTTP, DHCP, DNS, DDNS, RTP, RTSP, PPPoE, SMTP, NTP, UPnP, SNMP, FTP, 802.1x, QoS, HTTPS, IPv6
<b>18x zoom HD IP camera</b>		<b>32x zoom HD IP camera</b>	
<b>Image sensor</b>	Progressive scan RGB CMOS 1/2.9"	<b>Image sensor</b>	Progressive scan CMOS 1/2.8"
<b>Resolution</b>	1920x1080 (HDTV 1080p) to 320x180	<b>Resolution</b>	Resolution: 1920x1080 @60fps to 320x180
<b>Lens</b>	18x zoom 4.7-84.6 mm F1.6 to F2.8, angle of view 59° - 4°, 12X digital zoom, auto focus, auto iris	<b>Lens</b>	32x optical 16x digital zoom 4.44-142.6 mm F1.6 to F4.4, horizontal angle of view 62.8° - 2.23°
<b>Min. illumination</b>	Color: 0.5 lux at 30 IRE F1.6, B/W: 0.04 lux at 30 IRE F1.6	<b>Min. illumination</b>	Colour : 0.3Lux (1/30sec, F1.6, 50IRE), B/W : 0.03Lux (1/30sec, F1.6, 50IRE)
<b>Streaming</b>	Multiple, individually configurable streams in H.264 and motion JPEG, VBR/CBR	<b>Streaming</b>	H.264, MJPEG dual codec, multiple streaming, VBR/CBR
<b>Features</b>	BLC, AGC, AWB, WDR, OSD, day & night auto/colour / BW (IR-Cut filter removable)	<b>Features</b>	Intelligent video analytics, motion detection, day & night (ICR), WDR (120dB), auto focus, auto Iris, AGC, SSSDR, ATW, SSSNR, BLC, DIS, Defog
<b>Standards protocols</b>	ONVIF Profile S, IPv4/v6, HTTP, HTTPS, SSL/TLS, QoS Layer 3 DiffServ, FTP, CIFS/SMB, SMTP, Bonjour, UPnP, SNMPv1/v2c/v3 (MIB-II), DNS, DynDNS, NTP, RTSP, RTP, TCP, UDP, IGMP, RTCP, ICMP, DHCP, ARP, SOCKS	<b>Standards protocols</b>	ONVIF Profile S, TCP/IP, UDP/IP, RTP(UDP), RTP(TCP), RTCP, RTSP, NTP, HTTP, HTTPS, SSL, DHCP, FTP, SMTP, ICMP, IGMP, SNMPv1/v2c/v3(MIB-2), ARP, DNS, DDNS, QoS, PIM-SM, UPnP, Bonjour

# Ordering requirements

The following code is designed to help in selection of the correct unit. Build up the reference number by inserting the code for each component into the appropriate box

XT40														
------	--	--	--	--	--	--	--	--	--	--	--	--	--	--

Housing type	Code
Visual camera housing	V

Wiper options	Code
Integral wiper with switched 24VAC for external washer pump	E
No wiper	N

Video type	Code
HD IP system	I

Day/night module	Code
30x zoom HD IP camera	9
18x zoom HD IP camera	B
20x zoom HD IP camera	H
32x zoom HD IP camera	D
Customer specific camera	C

Thermal core module	Code
No thermal core	N

Thermal core lens	Code
No thermal imaging lens	N

Video system	Code
IP	I

Transmission type	Code
Standard electrical	0
Simplex singlemode 9/125µm ethernet	3
Simplex multimode 50/125µm ethernet	4
IP over coax	5
Customer specific transmission device	C

Temperature type	Code
T4A -4°F to +158°F	E
T4A -58°F to +158°F	F

\*Subject to restrictions

Certification	Code
UL Class I Div I	L

Protocol requirements	Code
Pelco D protocol, baud rate 2400bps	D
Special - price on application	S

Camera rotation	Code
Continuous rotation	1
Pan rotation restricted to +/- 175°	2

Supply voltage	Code
24 VAC ±10% 50/60 Hz	1
110 VAC ±10% 50/60 Hz	2
230 VAC ±10% 50/60 Hz	3
Special - price on application	S