

XT40 day/night IP hybrid series - UL range

PTZ with illuminator
camera station,
hazardous location



Overview

The Oxalis XT40 is an explosion protected twin PTZ camera station with the addition of a high efficiency automated integral LED illuminator for use in hazardous areas in onshore, offshore, marine and heavy industrial environments.

The camera housings are designed specifically for the Americas markets or where UL standards on Class and Division have been specified.

The base unit carries dual NPT cable entries with easy access for cable termination during installation as standard, maximising compatibility and ease of use with existing fixed conduit installations.

Our camera stations are designed and manufactured for longevity in harsh environments, require minimal maintenance and are fully certified to UL standards as required by OSHA in both safe and hazardous areas.

See separate datasheet for ATEX/IECEX & other zone certification ranges.

Features

- Class 1 Division 1 and Zone 1 certified
- Electro-polished 316L stainless steel on all welded assemblies
- Camera station window in toughened glass
- Pole or wall mounting options (see separate datasheets)
- NPT entries as standard
- Various camera module options
- Options also available for IP, analogue, hybrid, IP over Coax and direct fibre out* - see specific datasheet
- Supply voltage options (24 VAC, 110 or 230 VAC, 50/60Hz)
- Certified temperature -58°F to +158°F*
- IP66/67

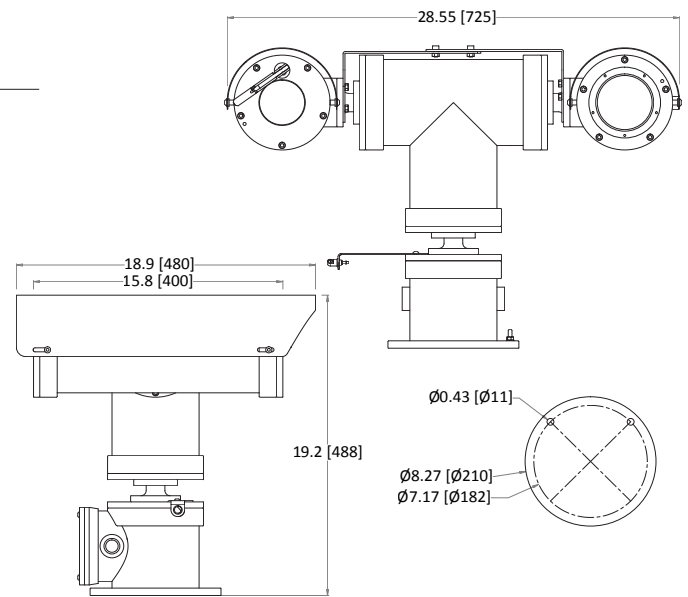
*Model dependent



Certifications

UL CI/DI	Class I, Division 1, Groups B, C, D, T4+ -50°C to +70°C (-58°F to +158°F) Class II, Division 1, Groups E, F, G IP67 Class 1 Zone 1 A Ex d IIB + Hydrogen T4 UL Listing: E477542
-----------------	--

General arrangement drawing (dimensions in inches and mm)



Specifications

Certification part number	P&T OXALIS-UL2420-01, illuminator housing OXALIS-UL2410-04-IR, camera housing options OXALIS-UL1410-25, 1410-10
Features	
Sun shield	Standard stainless steel 316L mirror finish
Integral wiper	Optional (silicone wiper blades that are resistant and do not perish after long exposure to ozone, UV, ice, snow, heat or cold)
Integral demister	Standard
Washer systems	Compatible with Oxalis XWP Washer tanks (see separate datasheets)
Pan speed (maximum)	45° per second
Tilt speed (maximum)	24° per second
Pre-set positional accuracy	64 presets: positional accuracy±0.1°
Telemetry receiver	Integral - Pelco D standard protocol (others to specification)
Rotation	Continuous pan or 350° rotation (+/- 175° from straight ahead)
Integral illumination	IR nano-stack LED technology, internally powered from camera station, range up to 109 yards (depending on camera), 12° angle, 850nm wavelength. Auto switching from ambient light sensor or auxiliary command
Integral IP encoder	Includes integral video encoder, H.264 / M-JPEG/MPEG-4, Low Latency, Triple Streaming, D1, 2CIF, CIF and VGA Resolution, 25fps (30fps - NTSC) for use with analogue camera modules Optional nonstandard encoder, subject to acceptance, conformity to regulation and testing
IP direct fibre out	Optional integrated media converter, simplex singlemode 9/125µm or multimode 50/125µm, 10/100Mb ethernet, IEEE 802.3
IP over coax	Optional integrated IP ethernet-over-coax converter (must be used with compatible Rx equipment)
Electrical	
Supply voltage options	24 VAC, 110 or 230 VAC, 50/60Hz
Power consumption	100W maximum (158W with low temperature operation)
Electrical connections	Terminal block for power and data specific to camera configuration
Cable entry	2 x ¾"NPT located in base
Mechanical	
Body material	Electro-polished 316L stainless steel on all welded assemblies
Fixings material	A4 stainless steel
Camera station window	Toughened glass
Mounting options	Pole or wall (see separate datasheets)
Operating temperature	From -58°F to +158°F (model dependent)
Weight (lb)	Up to 137lb depending on configuration
Ingress protection rating	IP66/67
Camera options	
1/4" CCD 36x zoom camera	
Image sensor	1/4" EXview HAD CCD (progressive scan)
Resolution	High resolution mode on: 550 TV lines (default)
Lens	36x zoom 3.4-122.4 mm F1.6 to F4.5, horizontal angle of view 57.8° - 1.7° , 12X digital zoom, auto focus, auto iris
Min. illumination	1/60 s, 1/50 s mode: 1.4 Lux, 1/4 s, 1/3 s mode: 0.1 Lux, 1/4 s, 1/3 s mode& ICR On: 0.01 Lux
S/N ratio	>50dB
Features	ATW, day & night auto/colour / BW (IR-Cut filter removable), camera title ON/OFF

Ordering requirements

The following code is designed to help in selection of the correct unit. Build up the reference number by inserting the code for each component into the appropriate box

