

# XT40 day/night IP hybrid series - UL range

PTZ with illuminator  
camera station,  
hazardous location



## Overview

The Oxalis XT40 is an explosion protected twin PTZ camera station with the addition of a high efficiency automated integral LED illuminator for use in hazardous areas in onshore, offshore, marine and heavy industrial environments.

The camera housings are designed specifically for the Americas markets or where UL standards on Class and Division have been specified.

The base unit carries dual NPT cable entries with easy access for cable termination during installation as standard, maximising compatibility and ease of use with existing fixed conduit installations.

Our camera stations are designed and manufactured for longevity in harsh environments, require minimal maintenance and are fully certified to UL standards as required by OSHA in both safe and hazardous areas.

See separate datasheet for ATEX/IECEx & other zone certification ranges

## Features

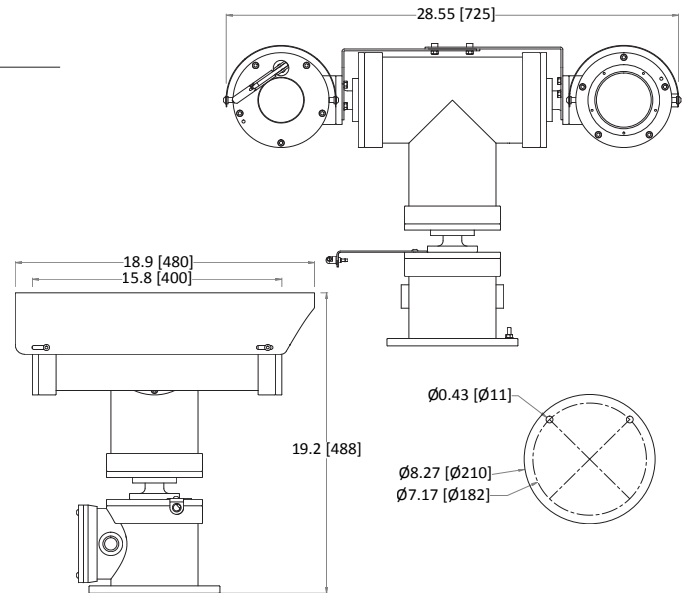
- Class 1 Division 1 and Zone 1 certified
- Electro-polished 316L stainless steel on all welded assemblies
- Camera station window in toughened glass
- Pole or wall mounting options (see separate datasheets)
- NPT entries as standard
- Various camera module options
- Options also available for IP, analogue, hybrid, IP over Coax and direct fibre out\* - see specific datasheet
- Supply voltage options (24 VAC, 110 or 230 VAC, 50/60Hz)
- Certified temperature -58°F to +158°F\*
- IP66/67

\*Model dependent

## Certifications

|          |  |
|----------|--|
| UL C1/D1 | Class I, Division 1, Groups B, C, D, T4A<br>Class II, Division 1, Groups E, F, G IP67<br>Class 1 Zone 1 A Ex d IIB + Hydrogen T4 |
|----------|--|

## General arrangement drawing (dimensions in inches and mm)



## Specifications

|                                    |   |
|------------------------------------|---|
| <b>Certification part number</b>   | P&T OXALIS-UL2420-01, illuminator housing OXALIS-UL2410-04-IR, camera housing options OXALIS-UL1410-25, 1410-10   |
| <b>Features</b>                    |   |
| <b>Sun shield</b>                  | Standard stainless steel 316L mirror finish   |
| <b>Integral wiper</b>              | Optional (silicone wiper blades that are resistant and do not perish after long exposure to ozone, UV, ice, snow, heat or cold)   |
| <b>Integral demister</b>           | Standard  |
| <b>Washer systems</b>              | Compatible with Oxalis XWP Washer tanks (see separate datasheets)   |
| <b>Pan speed (maximum)</b>         | 45° per second  |
| <b>Tilt speed (maximum)</b>        | 24° per second  |
| <b>Pre-set positional accuracy</b> | 64 presets: positional accuracy±0.1°  |
| <b>Telemetry receiver</b>          | Integral - Pelco D standard protocol (others to specification)  |
| <b>Rotation</b>                    | Continuous pan or 350° rotation (+/- 175° from straight ahead)  |
| <b>Integral illumination</b>       | IR nano-stack LED technology, internally powered from camera station, range up to 109 yards (depending on camera), 12° angle, 850nm wavelength. Auto switching from ambient light sensor or auxiliary command   |
| <b>Integral IP encoder</b>         | Includes integral video encoder, H.264 / M-JPEG/MPEG-4, Low Latency, Triple Streaming, D1, 2CIF, CIF and VGA Resolution, 25fps (30fps - NTSC) for use with analogue camera modules<br>Optional nonstandard encoder, subject to acceptance, conformity to regulation and testing |
| <b>IP direct fibre out</b>         | Optional integrated media converter, simplex singlemode 9/125µm or multimode 50/125µm, 10/100Mb ethernet, IEEE 802.3  |
| <b>IP over coax</b>                | Optional integrated IP ethernet-over-coax converter (must be used with compatible Rx equipment)   |
| <b>Electrical</b>                  |   |
| <b>Supply voltage options</b>      | 24 VAC, 110 or 230 VAC, 50/60Hz   |
| <b>Power consumption</b>           | 100W maximum (158W with low temperature operation)  |
| <b>Electrical connections</b>      | Terminal block for power and data specific to camera configuration  |
| <b>Cable entry</b>                 | 2 x 3/4" NPT located in base  |
| <b>Mechanical</b>                  |   |
| <b>Body material</b>               | Electro-polished 316L stainless steel on all welded assemblies  |
| <b>Fixings material</b>            | A4 stainless steel  |
| <b>Camera station window</b>       | Toughened glass   |
| <b>Mounting options</b>            | Pole or wall (see separate datasheets)  |
| <b>Operating temperature</b>       | From -58°F to +158°F (model dependent)  |
| <b>Weight (lb)</b>                 | Up to 137lb depending on configuration  |
| <b>Ingress protection rating</b>   | IP66/67   |
| <b>Camera options</b>              |   |
| <b>1/4" CCD 36x zoom camera</b>    |   |
| <b>Image sensor</b>                | 1/4" EXview HAD CCD (progressive scan)  |
| <b>Resolution</b>                  | High resolution mode on: 550 TV lines (default)   |
| <b>Lens</b>                        | 36x zoom 3.4-122.4 mm F1.6 to F4.5, horizontal angle of view 57.8° - 1.7°, 12X digital zoom, auto focus, auto iris  |
| <b>Min. illumination</b>           | 1/60 s, 1/50 s mode: 1.4 Lux, 1/4 s, 1/3 s mode: 0.1 Lux, 1/4 s, 1/3 s mode& ICR On: 0.01 Lux   |
| <b>S/N ratio</b>                   | >50dB   |
| <b>Features</b>                    | ATW, day & night auto/colour / BW (IR-Cut filter removable), camera title ON/OFF  |

# Ordering requirements

The following code is designed to help in selection of the correct unit. Build up the reference number by inserting the code for each component into the appropriate box

|      |  |  |  |  |  |  |  |  |  |  |  |  |  |  |
|------|--|--|--|--|--|--|--|--|--|--|--|--|--|--|
| XT40 |  |  |  |  |  |  |  |  |  |  |  |  |  |  |
|------|--|--|--|--|--|--|--|--|--|--|--|--|--|--|

**Housing type**  
Visual camera housing

**Code**  
V

**Wiper options**  
Integral wiper with switched 24VAC for external washer pump  
No wiper

**Code**  
E  
N

**Video type**  
Integral IP video encoder  
Hybrid analogue IP system with nonstandard IP encoder

**Code**  
H  
S

**Day/night module**  
1/4" CCD 36x zoom camera  
Customer specific camera

**Code**  
4  
C

**Thermal core module**  
No thermal core

**Code**  
N

**Thermal core lens**  
No thermal imaging lens

**Code**  
N

**Video system**  
PAL  
NTSC

**Code**  
P  
N

**Supply voltage**  
24 VAC ±10% 50/60 Hz  
110 VAC ±10% 50/60 Hz  
230 VAC ±10% 50/60 Hz  
Special - price on application

**Code**  
1  
2  
3  
S

**Transmission type**  
Standard electrical  
Simplex singlemode 9/125µm ethernet  
Simplex multimode 50/125µm ethernet  
IP over coax  
Customer specific fibre transmission device

**Code**  
0  
3  
4  
5  
C

**Temperature type**  
T4A -4°F to +158°F  
T4A -58°F to +158°F

**Code**  
E  
F

\*Subject to restrictions

**Certification**  
UL Class I Div I

**Code**  
L

**Protocol requirements**  
Pelco D protocol, baud rate 2400bps  
Special - price on application

**Code**  
D  
S

**Camera rotation**  
Continuous rotation  
Pan rotation restricted to +/- 175°

**Code**  
1  
2