

# XT40 day/night analogue series - UL range

PTZ with illuminator  
camera station,  
hazardous location



## Overview

The Oxalis XT40 is an explosion protected twin PTZ camera station with the addition of a high efficiency automated integral LED illuminator for use in hazardous areas in onshore, offshore, marine and heavy industrial environments.

The camera housings are designed specifically for the Americas markets or where UL standards on Class and Division have been specified.

The base unit carries dual NPT cable entries with easy access for cable termination during installation as standard, maximising compatibility and ease of use with existing fixed conduit installations.

Our camera stations are designed and manufactured for longevity in harsh environments, require minimal maintenance and are fully certified to UL standard as required by OSHA in both safe and hazardous areas.

See separate datasheet for ATEX/IECEX and other zone certification ranges.

## Features

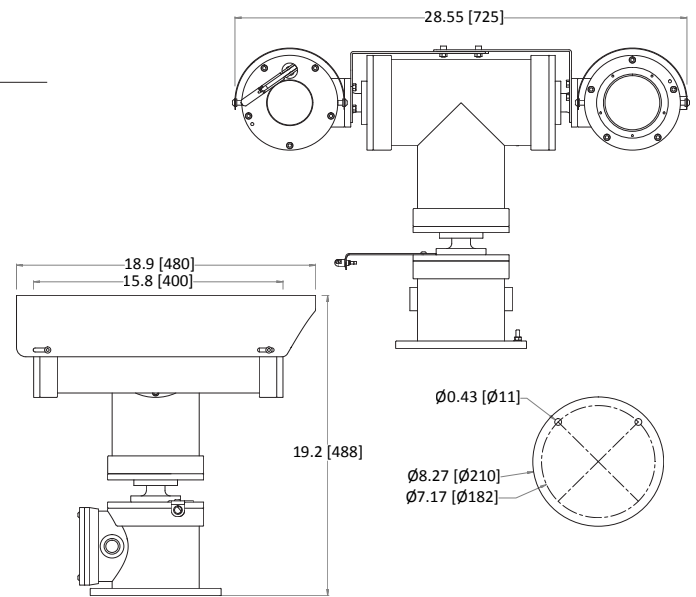
- Class 1 Division 1 and Zone 1 certified
- Electro-polished 316L stainless steel on all welded assemblies
- Camera station window in toughened glass
- Pole or wall mounting options (see separate datasheets)
- NPT entries as standard
- Various camera module options
- Options also available for IP, analogue, hybrid, IP over Coax and direct fibre out\* - see specific datasheet
- Supply voltage options (24 VAC, 110 or 230 VAC, 50/60Hz)
- Certified temperature -58°F to +158°F\*
- IP66/67

\*Model dependent

## Certifications

UL CI/DI	Class I, Division 1, Groups B, C, D, T4+ -50°C to +70°C (-58°F to +158°F) Class II, Division 1, Groups E, F, G IP67 Class 1 Zone 1 A Ex d IIB + Hydrogen T4 UL Listing: E477542
----------	--

## General arrangement drawing (dimensions in inches and mm)



## Specifications

<b>Certification part number</b>	P&T OXALIS-UL2420-01, Illuminator Housing OXALIS-UL2410-04-IR, camera housing options OXALIS-UL1410-25, 1410-10
<b>Features</b>	
<b>Sun shield</b>	Standard stainless steel 316L mirror finish
<b>Integral wiper</b>	Optional (silicone wiper blades that are resistant and do not perish after long exposure to ozone, UV, ice, snow, heat or cold)
<b>Integral demister</b>	Standard
<b>Washer systems</b>	Compatible with Oxalis XWP washer tanks (see separate datasheets)
<b>Pan speed (maximum)</b>	45° per second
<b>Tilt speed (maximum)</b>	24° per second
<b>Pre-set positional accuracy</b>	64 presets: positional accuracy±0.1°
<b>Telemetry receiver</b>	Integral - Pelco D, P standard protocols (others to specification)
<b>Rotation</b>	Continuous Pan or 350° rotation (+/- 175° from straight ahead)
<b>Integral illumination</b>	IR nano-stack LED technology, internally powered from camera station, range up to 109 yard (depending on camera), 12°angle, 850nm wavelength. Auto switching from ambient light sensor or auxiliary command
<b>Analogue direct fibre out</b>	Optional singlemode 9/125µm or multimode 50/125µm video and data fibre optic transmission, mounted inside the camera station
<b>Type approval</b>	DNVGL-CG-0339, 2016 (copper transmission only)
<b>Electrical</b>	
<b>Supply voltage options</b>	24 VAC, 110 or 230 VAC, 50/60Hz
<b>Power consumption</b>	100W maximum (158W with low temperature operation)
<b>Electrical connections</b>	Terminal block for power, data and video specific to camera configuration
<b>Cable entry</b>	2 x ¾" NPT located in base
<b>Mechanical</b>	
<b>Body material</b>	Electro-polished 316L stainless steel on all welded assemblies
<b>Fixings material</b>	A4 stainless steel
<b>Camera station window</b>	Toughened glass
<b>Mounting options</b>	Pole or wall (see separate datasheets)
<b>Operating temperature</b>	From -58°F to +158°F (model dependent)
<b>Weight (lb)</b>	Up to 137lb depending on configuration
<b>Ingress protection rating</b>	IP66/67
<b>Camera options</b>	
<b>1/4" CCD 36x zoom camera</b>	
<b>Image Sensor</b>	1/4" EXview HAD CCD (progressive scan)
<b>Resolution</b>	High resolution mode on: 550 TV lines (default)
<b>Lens</b>	36x zoom 3.4-122.4 mm F1.6 to F4.5, horizontal angle of view 57.8°- 1.7°, 12X digital zoom, auto focus, auto iris
<b>Min. Illumination</b>	1/60 s, 1/50 s mode: 1.4 Lux, 1/4 s, 1/3 s mode: 0.1 Lux, 1/4 s, 1/3 s mode& ICR On: 0.01 Lux
<b>S/N Ratio</b>	>50dB
<b>Features</b>	ATW, day & night auto/colour / BW (IR-Cut filter removable), camera title ON/OFF

# Ordering requirements

The following code is designed to help in selection of the correct unit. Build up the reference number by inserting the code for each component into the appropriate box

