

XP60 HD IP series

Explosion proof, PTZ
camera station



Overview

The Oxalis XP60 is an explosion protected PTZ camera station for use in hazardous areas in onshore, offshore, marine and heavy industrial environments. The camera stations are designed for longevity in harsh environments with minimal maintenance. The large format housing allows the installation of custom specified camera, lens and transmission equipment subject to conformity to certification, physical fit and acceptance.

Features

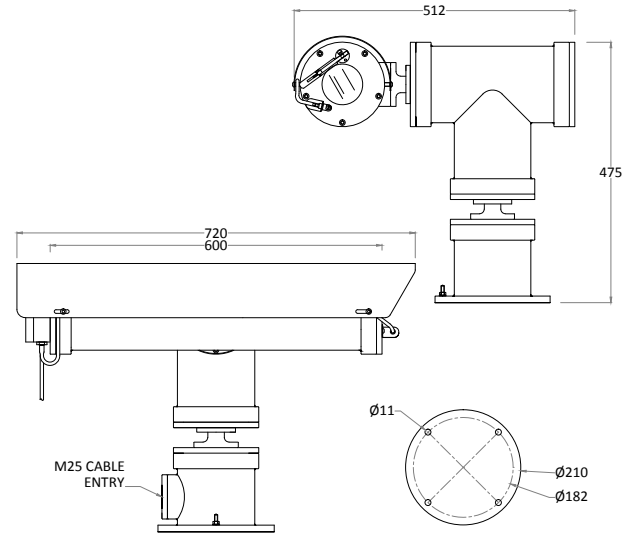
- ATEX, IECEx, Class 1 Division 1 and Zone 1 certified
 - Electro-polished 316L stainless steel on all welded assemblies
 - Camera station window in toughened glass
 - Pole or wall mounting options (see separate datasheets)
 - Supply voltage options (24 VAC, 110 or 230 VAC)
 - Operating temperature from -60°C to +70°C*
 - IP66/67
- *Model dependent



Certifications

ATEX	II 2 G Ex db (op pr) IIC T4 (T5 & T6 On Request)Gb II 2 D Ex tb (op pr) IIIC T135°C Db IP6x Certificate Number: ITS16ATEX101021X
IECEX	Ex db (op pr) IIC T4 (T5 & T6 On Request)Gb Ex tb (op pr) IIIC T135°C Db IP6x Certificate Number:IECEX ITS 15.0068X
INMETRO	Ex d IIC T4 (T5 On Request) Gb -60° C ≤Ta ≤+60°C Ex tb IIIC T135° C Db IP66/67. Certificate Number: TUV 12.1080X / TUV 12.1081X
LCus CI/ZI	Class 1 Zone 1 A Ex d IIC T4 (T5 On Request) LC13A11396 Gb -60° C ≤Ta ≤+60° C. UL 60079-0:2009 & 60079-1:2009 Certificate Number: 11396-1S-JUL
cLCus C1/DI	Class I, Division 1, Groups B, C, D, -60° C ≤Ta ≤60°C T4/ Class II, Division 1, Groups E, F, G IP67. CSA-C22.2 No:30-M1986 No:25-1966(R2009) CSA-C22.2 No:60065-03(R2012) & UL1203,UL60065(ED.7) Certificate Number: 11671-1S / 11677-1S
cLC CSA	Ex d IIC T4 (T5 On Request) LC1311396 -60° C ≤Ta ≤+60°C. CAN CSA-C22.2 No.60079-0:2011 & 60079-1:2011 Certificate Number: 11396-1S-CSA
TR CU GOST	IEEx d IIC T4X (T5 & T6 On Request) -60° C ≤ Ta ≤+60° C Ex tb IIIC T135° C Db IP67. Certificate Number: TC RUGB.r6.B00318
CCOE	Ex d IIC (T5 & T6 On Request) -60° C ≤ Ta ≤+60° C Gb Ex tb IIIC T130° C Db IP6x Certificate Number: P306928/1/2
CNEX	Ex d IIC T4/T5/T6 GB / Ex tb IIIC 135° C Db IP6X. Certificate Number: 132.2980X / 13.2981X
CERTEX	II 2 G Ex d (op pr) IIC T4 (T5 & T6 On Request) II 2 D Ex tb IIIC T135° C Db IP6x. Certificate Number: S-XPL-14.1340X

General arrangement drawing (all dimensions in mm)



Specifications

Certification part number	P&T 2420-01, Housing options 2410-00, 2410-01, 2410-02		
Features		Electrical	
Sun shield	Standard stainless steel 316L mirror finish	Supply voltage options	24 VAC, 110 or 230 VAC, 50/60Hz
Integral wiper	Optional	Power consumption	80W Maximum (143W with low temperature operation)
Integral demister	Standard	Electrical connections	Terminal block for power and data specific to camera configuration
Integral washer pump	Optional	Cable entry	Single M25 entry located in base
Washer systems	Compatible with Oxalis XW or XWP washer tanks (see separate datasheets)	Mechanical	
Pan speed (maximum)	45° per second	Body material	Electro-polished 316L stainless steel on all welded assemblies for maximum corrosion protection
Tilt speed (maximum)	24° per second	Fixings material	A4 stainless steel
Pre-set positional accuracy	64 presets: positional accuracy±0.1°	Camera station window	Toughened glass
Telemetry receiver	Integral - Pelco D	Mounting options	Pole or wall (see separate datasheets)
Rotation	Continuous pan or 350° rotation (+/- 175° from straight ahead)	Operating temperature	From -60°C to +70°C* (model dependent)
Analogue direct fibre out	Optional media converter, simplex singlemode 9/125µm or multi-mode 50/125µm, 10/100Mb ethernet, IEEE 802.3	Weight (Kg)	Up to 57 Kg depending on configuration
IP over coax	Optional integrated IP ethernet-over-coax converter (must be used with compatible Rx equipment)	Ingress protection rating	IP66/67
Camera options			
30x zoom 1080p network camera		20x zoom 1080p network camera	
Image sensor	1/2.8" Exmor CMOS	Image sensor	Progressive scan CMOS 1/2.8"
Resolution	1920x1080 @60fps to 352x240	Resolution	1920x1080 30fps
Lens	30x zoom 4.3-129 mm F1.6 to F4.7, horizontal angle of view 67.7° - 2.3°, 12X digital zoom, auto focus, auto iris	Lens	20x zoom 4.7-94mm F1.6 to F3.5, angle of view 61.4° - 2.9°, 10X digital zoom, auto focus, auto iris
Min. illumination	Colour ICR-Off: 0.35 Lux (1/30 Sec, 50IRE) 0.05 Lux (1/4 sec, 1/3 sec, 50IRE) B/W ICR-On: 0.013 lx (1/30 sec, 50IRE) 0.002 lx (1/4 sec, 1/3 sec, 30IRE)	Min. illumination	Color: 0.05Lux @ (F1.6, AGC ON) B/W: 0.01Lux @ (F1.6, AGC ON)
Streaming	Primary: H.264, secondary x3: H.264/MJPEG, VBR/CBR	Streaming	Dual streams in H.264 and motion JPEG, VBR/CBR
Features	AGC, AE, AWB, TDN, DNR, BLC, ACCE, DSS, WDR, EIS, defog, OSD	Features	BLC, AGC, AWB, WDR, DNR, OSD, day & night auto/colour / BW (IR-Cut filter removable)
Standards protocols	ONVIF Profile S, PSIA - IPv4/6, TCP, UDP, HTTP, HTTPS, IGMP(Multicast), DHCP, FTP, RTP RTSP, SNMP, SMTP, UPnP, DDNS, WS-Discovery, zero configuration	Standards protocols	ONVIF, PSIA, CGI - TCP/IP, HTTP, DHCP, DNS, DDNS, RTP, RTSP, PPPoE, SMTP, NTP, UPnP, SNMP, FTP, 802.1x, QoS, HTTPS, IPv6
18x Q1765 network camera		32x SNZ-6320 HD IP camera	
Image sensor	Progressive scan RGB CMOS 1/2.9"	Image sensor	Progressive scan CMOS 1/2.8"
Resolution	1920x1080 (HDTV 1080p) to 320x180	Resolution	Resolution: 1920x1080 @60fps to 320x180.
Lens	18x zoom 4.7-84.6 mm F1.6 to F2.8, angle of view 59° - 4°, 12X digital zoom, auto focus, auto iris	Lens	32x optical 16x digital zoom 4.44-142.6 mm F1.6 to F4.4, horizontal angle of view 62.8° - 2.23°
Min. illumination	Color: 0.5 lux at 30 IRE F1.6, B/W: 0.04 lux at 30 IRE F1.6	Min. illumination	Colour : 0.3Lux (1/30sec, F1.6, 50IRE), B/W : 0.03Lux (1/30sec, F1.6, 50IRE)
Streaming	Multiple, individually configurable streams in H.264 and motion JPEG, VBR/CBR	Streaming	H.264, MJPEG dual codec, multiple streaming, VBR/CBR
Features	BLC, AGC, AWB, WDR, OSD, day & night auto/colour / BW (IR-Cut filter removable)	Features	Intelligent video analytics, motion detection, day & night (ICR), WDR (120dB), auto focus, auto Iris, AGC, SSSDR, ATW, SSSNRIII, BLC, DIS, Defog
Standards protocols	ONVIF, IPv4/v6, HTTP, HTTPS, SSL/TLS, QoS Layer 3 DiffServ, FTP, CIFS/SMB, SMTP, Bonjour, UPnP, SNMPv1/v2c/v3 (MIB-II), DNS, DynDNS, NTP, RTSP, RTP, TCP, UDP, IGMP, RTCP, ICMP, DHCP, ARP, SOCKS	Standards protocols	ONVIF Profile S, TCP/IP, UDP/IP, RTP(UDP), RTP(TCP), RTCP, RTSP, NTP, HTTP, HTTPS, SSL, DHCP, FTP, SMTP, ICMP, IGMP, SNMPv1/v2c/v3(MIB-2), ARP, DNS, DDNS, QoS, PIM-SM, UPnP, Bonjour

Ordering requirements

The following code is designed to help in selection of the correct unit. Build up the reference number by inserting the code for each component into the appropriate box

XP60

Housing type	Code
Visual camera housing	V
Visual camera housing with integral washer pump	P

Wiper options	Code
Integral wiper with switched 24VAC for external washer pump	E
Integral wiper	W
No wiper	N

Video type	Code
HD IP system	I

Day/night module	Code
30x zoom 1080p network camera	9
18x Q1765 network camera	B
20x zoom 1080p network camera	H
32x zoom HD IP camera	D
Customer specific camera	C

Thermal core module	Code
No thermal core	N

Thermal core lens	Code
No thermal imaging lens	N

Video system	Code
IP	I

Supply voltage	Code
24 VAC ±10% 50/60 Hz	1
110 VAC ±10% 50/60 Hz	2
230 VAC ±10% 50/60 Hz	3
Special - price on application	S

Transmission type	Code
Standard electrical	0
Simplex singlemode 9/125µm ethernet	3
Simplex multimode 50/125µm ethernet	4
IP over coax	5
Customer specific transmission device	C

Temperature type	Code
T4, -20°C to +70°C*	A
T4, -40°C to +70°C*	B
T4, -20°C to +60°C	1
T4, -40°C to +60°C	2
T4, -60°C to +40°C	3
T5, -20°C to +65°C*	C
T5, -40°C to +65°C*	D
T5, -20°C to +60°C*	4
T5, -40°C to +60°C*	5
T5, -60°C to +40°C*	6
T6, -20°C to +40°C*	7
T6, -40°C to +40°C*	8
T6, -60°C to +40°C*	9

*Subject to configuration restrictions

Certification	Code
ATEX	A
IECEX	I
INMETRO	M
LCus C1, Z1	U
cLCus C1, D1	Z
cLC CSA	C
GOST-R	R
CCOE	D
CNEX	X
CERTEX	T

Protocol requirements	Code
Pelco D protocol, baud rate 2400bps	D

Camera rotation	Code
Continuous rotation	1
Pan rotation restricted to +/- 175°	2