

XP40 thermal image IP hybrid series - UL range

PTZ camera station,
hazardous location



Overview

The Oxalis XP40 thermal imager is an explosion protected PTZ camera station for use in hazardous areas in onshore, offshore, marine and heavy industrial environments where thermal imaging is required for specific process or security applications.

The camera housings are designed specifically for the Americas markets or where UL standards on Class and Division have been specified.

The base unit carries dual NPT cable entries with easy access for cable termination during installation as standard, maximising compatibility and ease of use with existing fixed conduit installations.

Our camera stations are designed and manufactured for longevity in harsh environments, require minimal maintenance and are fully certified to UL standards as required by OSHA in both safe and hazardous areas.

See separate datasheet for ATEX/IECEX & other zone certification ranges.

Features

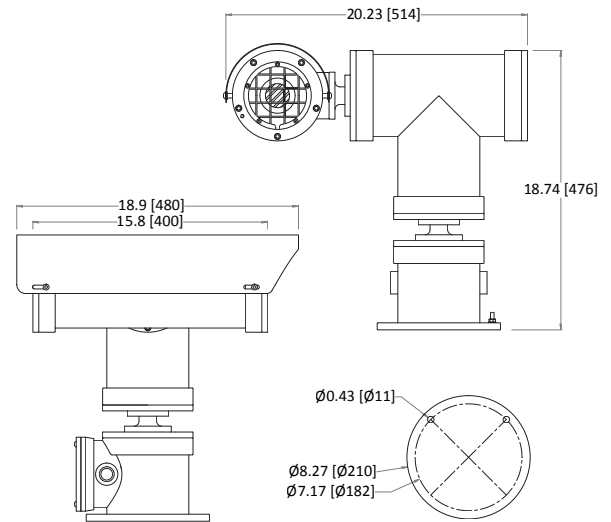
- Class 1 Division 1 and Zone 1 certified
- Electro-polished 316L stainless steel on all welded assemblies
- Camera station window in toughened glass
- Pole or wall mounting options (see separate datasheets)
- NPT entries as standard
- 5 different size lens options
- 4 resolution/frequency rating options
- Various camera module options
- Options also available for IP, analogue, hybrid, IP over Coax and direct fibre out* - see specific data sheet
- Supply voltage options (24 VAC, 110 or 230 VAC, 50/60Hz)
- Certified temperature from -58°F to +158°F* (ranging from T4 - T6)
- IP66/67

*Model dependent

Certifications

UL C1/D1	Class I, Division 1, Groups B, C, D, T4A(T5 & T6 On Request) Class II, Division 1, Groups E, F, G IP67 Class 1 Zone 1 A Ex d IIB + Hydrogen T4 (T5 On Request)
----------	--

General arrangement drawing (dimensions in inches and mm)



Specifications

Certification part number	P&T OXALIS-UL2420-01, Housing options OXALIS-UL1410-10-TI-50, 1410-10-TI
Features	
Sun shield	Standard stainless steel 316L mirror finish
Integral demister	Standard
Pan speed (maximum)	45° per second
Tilt speed (maximum)	24° per second
Pre-set positional accuracy	64 presets: positional accuracy±0.1°
Telemetry receiver	Integral - Pelco D protocol (others to specification)
Rotation	Continuous pan or 350° rotation (+/- 175° from straight ahead)
Integral IP encoder	Includes integral video encoder, H.264 / M-JPEG/MPEG-4, low latency, triple streaming, D1, 2CIF, CIF and VGA resolution, 25fps (30fps - NTSC) for use with analogue camera modules Optional nonstandard encoder, subject to acceptance, conformity to regulation and testing
IP over coax	Optional integrated IP ethernet-over-coax converter (must be used with compatible Rx equipment)
Direct fibre out	Optional ,simplex singlemode 9/125µm or multimode 50/125µm, 10/100Mb ethernet, IEEE 802.3
Electrical	
Supply voltage options	24 VAC, 110 or 230 VAC, 50/60Hz
Power consumption	85W Maximum (143W with low temperature operation)
Electrical connections	Terminal block for power, data and video specific to camera configuration
Cable entry	2 x ¾" NPT located in base
Mechanical	
Body material	Electro-polished 316L stainless steel on all welded assemblies
Fixings material	A4 stainless steel
Camera station window	Internal AR and external carbon coated germanium (50 or 102mm Ø) with protective grill
Mounting options	Pole or wall (see separate datasheets)
Operating temperature	From -58°F to +158°F (model dependent)
Weight (lb)	Up to 117lb depending on configuration
Ingress protection rating	IP66/67
Thermal core module options	
T320 7.5-8.3Hz	Uncooled VOx microbolometer thermal imaging camera, including TCI Interface PCB for functionality over standard RS485 protocol Commands. 324 x 256 resolution, 25µ pixel size, 7.5Hz NTSC/8.3Hz PAL exportable frame rate, digital detail enhancement
T640 7.5-8.3Hz	Uncooled VOx microbolometer thermal imaging camera, including TCI Interface PCB for functionality over standard RS485 protocol Commands. 640 x 512 resolution (PAL), 17µ pixel size, 7.5Hz NTSC/8.3Hz PAL exportable frame rate, digital detail enhancement
T320 25-30Hz	Uncooled VOx microbolometer thermal imaging camera, including TCI Interface PCB for functionality over standard RS485 protocol Commands. 324 x 256 resolution, 25µ pixel size, 30Hz NTSC/25Hz PAL frame rate, digital detail enhancement. Subject to export restrictions and licensing
T640 25-30Hz	Uncooled VOx microbolometer thermal imaging camera, including TCI Interface PCB for functionality over standard RS485 protocol Commands. 640 x 512 resolution (PAL), 17µ pixel size, 30Hz NTSC/25Hz PAL frame rate, digital detail enhancement. Subject to export restrictions and licensing
Thermal core lens options	
19mm lens	FoV 24° x 18° (324 x 256) / FoV 32° x 26° (640 x 512). Detection of object 4m x 1.5m: 1280m (324 x 256) / 1550m (640 x 512)
25mm lens	FoV 18° x 14° (324 x 256) / FoV 25° x 20° (640 x 512). Detection of object 4m x 1.5m: 1650m (324 x 256) / 2200m (640 x 512)
35mm lens	FoV 13° x 10° (324 x 256) / FoV 18° x 14° (640 x 512). Detection of object 4m x 1.5m: 2250m (324 x 256) / 3000m (640 x 512)
50mm lens	FoV 9.1° x 6.9° (324 x 256) / FoV 12.4° x 9.9° (640 x 512). Detection of object 4m x 1.5m: 3100m (324 x 256) / 3900m (640 x 512)
100mm lens	FoV 4.6° x 3.4° (324 x 256) / FoV 6.2° x 5.0° (640 x 512). Detection of object 4m x 1.5m: 5300m (324 x 256) / 6000m (640 x 512). Ø102 Germanium housings only

Ordering requirements

The following code is designed to help in selection of the correct unit. Build up the reference number by inserting the code for each component into the appropriate box

XP40													
------	--	--	--	--	--	--	--	--	--	--	--	--	--

Housing type	Code
Thermal imaging housing with 50mm germanium window	T
Thermal imaging housing with 102mm germanium window no camera	H

Wiper options	Code
No wiper	N

Video type	Code
Integral IP video encoder	H
Hybrid analogue IP system with nonstandard IP encoder	S

Day/night module	Code
No D/N camera fitted	N

Thermal core module	Code
T320 7.5-8.3Hz	1
T640 7.5-8.3Hz	2
T320 25-30Hz	3
T640 25-30Hz	4
Customer specific thermal camera	C

Thermal core lens	Code
19mm lens	1
25mm lens	2
35mm lens	3
50mm lens	4
100mm lens	5
Customer specific thermal imaging lens	C

Transmission type	Code
Standard electrical	0
Simplex singlemode 9/125µm ethernet	3
Simplex multimode 50/125µm ethernet	4
IP over coax	5
Customer specific transmission device	C

Temperature type	Code
T4A -4°F to +158°F	E
T4A -58°F to +158°F	F
T6 -4°F to +122°F*	G
T6 -58°F to +122°F*	H

*Subject to restrictions

Certification	Code
UL Class I Div I	L

Protocol requirements	Code
Pelco D protocol, baud rate 2400bps	D
Special - price on application	S

Camera rotation	Code
Continuous rotation	1
Pan rotation restricted to +/- 175°	2

Supply voltage	Code
24 VAC ±10% 50/60 Hz	1
110 VAC ±10% 50/60 Hz	2
230 VAC ±10% 50/60 Hz	3
Special - price on application	S

Video system	Code
PAL	P
NTSC	N