

XF26 HD IP series

Explosion proof, fixed camera station



Overview

The Oxalis XF26 is an explosion protected fixed camera housing for use in hazardous areas in onshore, offshore, marine and heavy industrial environments. The camera housings are designed for longevity in harsh environments with minimal maintenance.

Features

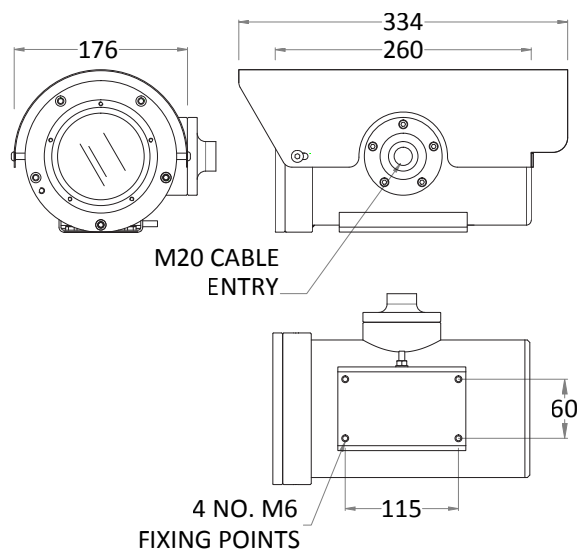
- ATEX, IECEx, Class 1 Division 1 and Zone 1 certified
 - Electro-polished 316L stainless steel on all welded assemblies
 - Pole or wall mounting options (see separate datasheets)
 - Supply voltage options 24 VAC
 - Operating temperature -60°C to +70°C*
 - IP66/67 (IP68)
- *Model dependent



Certifications

| | |
|-------------|---|
| ATEX | II 2 G Ex db (op pr) IIC T4 (T5 & T6 On Request)Gb II 2 D Ex tb (op pr) IIIC T135°C Db IP6x Certificate Number: ITS16ATEX101021X |
| IECEX | Ex db (op pr) IIC T4 (T5 & T6 On Request)Gb Ex tb (op pr) IIIC T135°C Db IP6x Certificate Number:IECEX ITS 15.0068X |
| INMETRO | Ex d IIC T4 (T5 On Request) Gb -60° C ≤Ta ≤+60°C Ex tb IIIC T135° C Db IP66/67 Certificate Number: TUV 12.1080X / TUV 12.1081X |
| LCus CI/ZI | Class 1 Zone 1 A Ex d IIC T4 (T5 On Request) LC13A11396 Gb -60° C ≤Ta ≤+60° C UL 60079-0:2009 & 60079-1:2009 Certificate Number: 11396-1S-UL |
| cLCus CI/DI | Class I, Division 1, Groups B, C, D, -60° C ≤Ta ≤+60° °C T4/ Class II, Division 1, Groups E, F, G IP67 CSA-C22.2 No:30-M1986 No:25-1966(R2009) CSA-C22.2 No:60065-03(R2012) & UL1203,UL60065(ED.7) Certificate Number: 11671-1S / 11677-1S |
| cLC CSA | Ex d IIC T4 (T5 On Request) LC1311396 -60° C ≤Ta ≤+60°C CAN CSA-C22.2 No.60079-0:2011 & 60079-1:2011 Certificate Number: 11396-1S-CSA |
| TR CU GOST | IEEx d IIC T4X (T5 & T6 On Request) -60° C ≤Ta ≤+60° C Ex tb IIIC T135° C Db IP67 Certificate Number: TCRUGB.r6.B00318 |
| CCOE | Ex d IIC (T5 & T6 On Request) -60° C ≤Ta ≤+60° C Gb Ex tb IIIC T130° C Db IP6x Certificate Number: P306928/1/2 |
| CNEX | Ex d IIC T4/T5/T6 GB / Ex tb IIIC 135° C Db IP6X Certificate Number: 132.2980X / 13.2981X |
| CERTEX | II 2 G Ex d (op pr) IIC T4 (T5 & T6 On Request) II 2 D Ex tb IIIC T135° C Db IP6x Certificate Number: S-XPL-14.1340X |

General arrangement drawing (all dimensions in mm)



Specifications

| | | | |
|----------------------------------|---|-------------------------------|---|
| Certification part number | Housing options 2410-04, 2410-05 | | |
| Features | | Electrical | |
| Sun shield | Standard stainless steel 316L mirror finish | Supply voltage options | 24 VAC |
| Integral wiper | No wiper | Power consumption | 18W Maximum (45W with low temperature operation) |
| Integral demister | Standard | Electrical connections | Terminal block for power, data and video specific to camera configuration |
| Washer systems | No washer | Cable entry | One M20 side entry |
| IP over coax | Optional integrated IP Ethernet-over-coax converter subject to configuration restrictions (must be used with compatible Rx equipment) | Mechanical | |
| Ingress protection rating | IP66/67, IP68 (1.5m for 24 hours) | Body material | Electro-polished 316L stainless steel on all welded assemblies |
| | | Fixings material | A4 stainless steel |
| | | Camera station window | Toughened glass |
| | | Mounting options | Pole or wall (see separate datasheets) |
| | | Operating temperature | From -60°C to +70°C (model dependent) |
| | | Weight (Kg) | Up to 8Kg depending on configuration |

Camera options

30x zoom 1080p network camera

| | |
|----------------------------|---|
| Image sensor | 1/2.8" Exmor CMOS |
| Resolution | 1920x1080 @60fps to 352x240 |
| Lens | 30x zoom 4.3-129 mm F1.6 to F4.7, horizontal angle of view 67.7° - 2.3°, 12X digital zoom, auto focus, auto Iris |
| Min. illumination | Colour ICR-Off: 0.35 Lux(1/30 Sec, 50IRE)/0.05 Lux (1/4 sec, 1/3 sec, 50IRE). B/W ICR-On: 0.013 lx (1/30 sec, 50IRE) 0.002 lx (1/4 sec, 1/3 sec, 30IRE) |
| Streaming | Primary: H.264, secondary x3: H.264/MJPEG, VBR/CBR |
| Features | AGC, AE, AWB, TDN, DNR, BLC, ACCE, DSS, WDR, EIS, defog, OSD |
| Standards protocols | ONVIF Profile S, PSIA - IPv4/6, TCP, UDP, HTTP, HTTPS, IGMP(Multicast), DHCP, FTP, RTP RTSP, SNMP, SMTP, UPnP, DDNS, WS-Discovery, zero configuration |

20x zoom 1080p network camera

| | |
|----------------------------|--|
| Image sensor | Progressive scan CMOS 1/2.8" |
| Resolution | 1920x1080 30fps |
| Lens | 20x zoom 4.7-94mm F1.6 to F3.5, angle of view 61.4° - 2.9°, 10X digital zoom, auto focus, auto Iris |
| Min. illumination | Color: 0.05Lux @ (F1.6, AGC ON) B/W: 0.01Lux @ (F1.6, AGC ON) |
| Streaming | Dual streams in H.264 and motion JPEG, VBR/CBR |
| Features | BLC, AGC, AWB, WDR, DNR, OSD, day & night auto/colour / BW (IR-Cut filter removable) |
| Standards protocols | ONVIF, PSIA, CGI - TCP/IP, HTTP, DHCP, DNS, DDNS, RTP, RTSP, PPPoE, SMTP, NTP, UPnP, SNMP, FTP, 802.1x, QoS, HTTPS, IPv6 |

32x SNZ-6320 HD IP camera

| | |
|----------------------------|---|
| Image sensor | Progressive scan CMOS 1/2.8" |
| Resolution | Resolution: 1920x1080 @60fps to 320x180 |
| Lens | 32x optical 16x digital zoom 4.44-142.6 mm F1.6 to F4.4, horizontal angle of view 62.8° - 2.23° |
| Min. illumination | Colour : 0.3Lux (1/30sec, F1.6, 50IRE), B/W : 0.03Lux (1/30sec, F1.6, 50IRE) |
| Streaming | H.264, MJPEG dual codec, multiple streaming, VBR/CBR |
| Features | Intelligent video analytics, motion detection, day & night (ICR), WDR (120dB), auto focus, auto Iris, AGC, SSSDR, ATW, SSNR III, BLC, DIS, Defog |
| Standards protocols | ONVIF Profile S, TCP/IP, UDP/IP, RTP(UDP), RTP(TCP), RTCP, RTSP, NTP, HTTP, HTTPS, SSL, DHCP, FTP, SMTP, ICMP, IGMP, SNMPv1/v2c/v3(MIB-2), ARP, DNS, DDNS, QoS, PIM-SM, UPnP, Bonjour |

Ordering requirements

The following code is designed to help in selection of the correct unit. Build up the reference number by inserting the code for each component into the appropriate box

