

XF26 day/night analogue series

Explosion proof, fixed camera station



Overview

The Oxalis XF26 is an explosion protected fixed camera housing for use in hazardous areas in onshore, offshore, marine and heavy industrial environments.

The camera housings are designed for longevity in harsh environments with minimal maintenance.

Features

- ATEX, IECEx, Class 1 Division 1 and Zone 1 certified
- Electro-polished 316L stainless steel on all welded assemblies
- Camera station window in toughened glass
- Pole or wall mounting options (see separate datasheets)
- Supply voltage options 24 VAC
- Operating temperature -60°C to +70°C*
- IP66/67 (IP68)

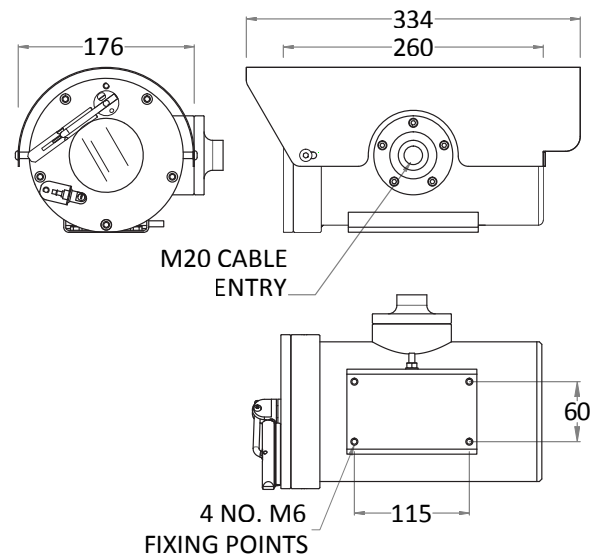
*Model dependent



Certifications

ATEX	II 2 G Ex db (op pr) IIC T4 (T5 & T6 On Request)Gb. II 2 D Ex tb (op pr) IIIC T135°C Db IP6x Certificate Number: ITS16ATEX101021X
IECEX	Ex db (op pr) IIC T4 (T5 & T6 On Request)Gb. Ex tb (op pr) IIIC T135°C Db IP6x Certificate Number:IECEX ITS 15.0068X
INMETRO	Ex d IIC T4 (T5 On Request) Gb -60°C≤Ta≤+60°C Ex tb IIIC T135°C Db IP66/67 Certificate Number: TUV 12.1080X / TUV 12.1081X
LCus C1/Z1	Class 1 Zone 1 A Ex d IIC T4 (T5 On Request) LC13A11396 Gb -60°C≤Ta≤+60°C. UL 60079-0:2009 & 60079-1:2009 Certificate Number: 11396-1S-UL
cLCus C1/D1	Class I, Division 1, Groups B, C, D, -60°C≤Ta≤+60°C T4/ Class II, Division 1, Groups E, F, G IP67 CSA-C22.2 No:30-M1986 No:25-1966(R2009) CSA-C22.2 No:60065-03(R2012) & UL1203,UL60065(ED.7) Certificate Number: 11671-1S / 11677-1S
cLC CSA	Ex d IIC T4 (T5 On Request) LC1311396 -60°C≤Ta≤+60°C CAN CSA-C22.2 No.60079-0:2011 & 60079-1-2011 Certificate Number: 11396-1S-CSA
TR CU GOST	IEx d IIC T4X (T5 & T6 On Request) -60°C≤Ta≤+60°C Ex tb IIIC T135°C Db IP67 Certificate Number: TCRUGB.r6.B00318
CCOE	Ex d IIC (T5 & T6 On Request) -60°C≤Ta≤+60°C Gb Ex tb IIIC T130°C Db IP6x Certificate Number: P306928/1/2
CNEX	Ex d IIC T4/T5/T6 GB / Ex tb IIIC 135°C Db IP6X Certificate Number: 132.2980X / 13.2981X
CERTEX	II 2 G Ex d (op pr) IIC T4 (T5 & T6 On Request) II 2 D Ex tb IIIC T135°C Db IP6x Certificate Number: S-XPL-14.1340X

General arrangement drawing (all dimensions in mm)



Specifications

Certification part number	Housing options 2410-04, 2410-05
Features	
Sun shield	Standard stainless steel 316L mirror finish
Integral wiper	Optional (silicone wiper blades that are resistant and do not perish after long exposure to ozone, UV, ice, snow, heat or cold)
Integral demister	Standard
Washer systems	Compatible with Oxalis XW or XWP washer tanks (see separate datasheets)
Telemetry receiver	Integral - Pelco D, P standard protocols (others to specification)
Ingress protection rating	IP66/67, IP68 (1.5m for 24 hours)
Type approval	DNV 2.4 2006 ABCD (copper transmission only)
Electrical	
Supply voltage options	24 VAC
Power consumption	18W maximum (45W with low temperature operation)
Electrical connections	Terminal block for power, data and video specific to camera configuration
Cable entry	One M20 side entry
Mechanical	
Body material	Electro-polished 316L stainless steel on all welded assemblies
Fixings material	A4 stainless steel
Camera station window	Toughened glass
Mounting options	Pole or wall (see separate datasheets)
Operating temperature	From -60°C to +70°C (model dependent)
Weight (Kg)	Up to 8Kg depending on configuration
Camera options	
1/4" CCD 36x zoom camera	
Image sensor	1/4" EXview HAD CCD (progressive scan)
Resolution	High resolution mode on: 550 TV lines (default)
Lens	36x zoom 3.4-122.4 mm F1.6 to F4.5, horizontal angle of view 57.8°- 1.7°, 12X digital zoom, auto focus, auto iris
Min. illumination	1/60 s, 1/50 s mode: 1.4 Lux, 1/4 s, 1/3 s mode: 0.1 Lux, 1/4 s, 1/3 s mode& ICR On: 0.01 Lux
S/N ratio	>50dB
Features	ATW, day & night auto/colour / BW (IR-cut filter removable), camera title ON/OFF

Ordering requirements

The following code is designed to help in selection of the correct unit. Build up the reference number by inserting the code for each component into the appropriate box

