

XF40 day/night HD IP series

Explosion proof, fixed camera station



Overview

The Oxalis XF40 is an explosion protected fixed camera housing for use in hazardous areas in onshore, offshore, marine and heavy industrial environments. The camera housings are designed for longevity in harsh environments with minimal maintenance.

Features

- ATEX, IECEx, Class 1 Division 1 and Zone 1 certified
 - Electro-polished 316L stainless steel on all welded assemblies
 - Camera station window in toughened glass
 - Pole or wall mounting options (see separate datasheets)
 - Supply voltage (24 VAC)
 - Operating temperature -60°C to +70°C*
 - IP66/67 (IP68)
- *Model dependent



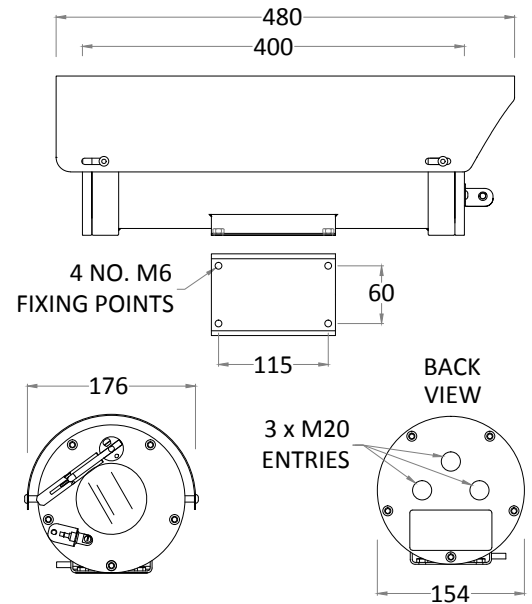
Certifications

ATEX	II 2 G Ex db (op pr) IIC T4 (T5 & T6 On Request)Gb II 2 D Ex tb (op pr) IIIC T135°C Db IP6x Certificate Number: ITS16ATEX101021X
IECEX	Ex db (op pr) IIC T4 (T5 & T6 On Request)Gb Ex tb (op pr) IIIC T135°C Db IP6x Certificate Number:IECEX ITS 15.0068X
INMETRO	Ex d IIC T4 (T5 On Request) Gb -60°C≤Tas+60°C Ex tb IIIC T135°C Db IP66/67 Certificate Number: TUV 12.1080X / TUV 12.1081X
LCus C1/Z1	Class 1 Zone 1 A Ex d IIC T4 (T5 On Request) LC13A11396 Gb -60°C ≤Ta ≤ +60°C. UL 60079-0:2009 & 60079-1:2009 Certificate Number: 11396-1S-UL
cLCus C1/D1	Class I, Division 1, Groups B, C, D, -60°C≤Tas+60°C T4/ Class II, Division 1, Groups E, F, G IP67. CSA-C22.2 No:30-M1986 No:25-1966(R2009) CSA-C22.2 No:60065-03(R2012) & UL1203,UL60065(ED.7) Certificate Number: 11671-1S / 11677-1S
cLC CSA	Ex d IIC T4 (T5 On Request) LC1311396 -60°C≤Tas+60°C. CAN CSA-C22.2 No.60079-0:2011 & 60079-1:2011 Certificate Number: 11396-1S-CSA
TR CU GOST	IEEx d IIC T4X (T5 & T6 On Request) -60°C≤Tas +60°C Ex tb IIIC T135°C Db IP67. Certificate Number: TCRUGB.r6.B00318
CCOE	Ex d IIC (T5 & T6 On Request) -60°C≤Tas+60°C Gb Ex tb IIIC T130°C Db IP6x Certificate Number: P306928/1/2
CNEX	Ex d IIC T4/T5/T6 GB / Ex tb IIIC 135°C Db IP6X. Certificate Number: 132.2980X / 13.2981X
CERTEX	II 2 G Ex d (op pr) IIC T4 (T5 & T6 On Request) II 2 D Ex tb IIIC T135°C Db IP6x. Certificate Number: S-XPL-14.1340X

Specifications

Certification part number	Housing options 1410-15-01, 1410-06, 1410-07, 2410-03		
Features		Electrical	
Sun shield	Standard stainless steel 316L mirror finish	Supply voltage options	24 VAC
Integral wiper	Optional (Silicone wiper blades that are resistant and do not perish after long exposure to ozone, UV, ice, snow, heat or cold)	Power consumption	37W Maximum (65W with low temperature operation)
Integral demister	Standard	Electrical connections	Terminal block for power, data and video specific to camera configuration
Washer systems	Compatible with Oxalis XW or XWP washer tanks (see separate datasheets)	Cable entry	Three M20 entries located in housing rear flange
Telemetry receiver	Integral - Pelco D, P	Mechanical	
IP direct fibre out options	Optional media converter, simplex singlemode 9/125µm or multimode 50/125µm, 10/100Mb Ethernet, IEEE 802.3	Body material	Electro-polished 316L stainless steel on all welded assemblies
IP over coax	Optional integrated IP Ethernet-over-coax converter (must be used with compatible Rx equipment)	Fixings material	A4 stainless steel
Ingress protection rating	IP66/67, IP68 (1.5m for 24 hours)	Camera station window	Toughened glass
		Mounting options	Pole or wall (see separate datasheets)
		Operating temperature	From -60°C to +70°C (model dependent)
		Weight (Kg)	Up to 15Kg depending on configuration
Camera options			
30x zoom 1080p network camera		20x zoom 1080p network camera	
Image sensor	1/2.8" Exmor CMOS	Image sensor	Progressive scan CMOS 1/2.8"
Resolution	1920x1080 @60fps to 352x240	Resolution	1920x1080 30fps
Lens	30x zoom 4.3-129 mm F1.6 to F4.7, horizontal angle of view 67.7° - 2.3°, 12X digital zoom, auto focus, auto iris	Lens	20x zoom 4.7-94mm F1.6 to F3.5, angle of view 61.4° - 2.9°, 10X digital zoom, auto focus, auto iris
Min. illumination	Colour ICR-Off: 0.35 Lux(1/30 Sec, 50IRE)0.05 Lux (1/4 sec, 1/3 sec, 50IRE), B/W ICR-On: 0.013 lx (1/30 sec, 50IRE) 0.002 lx (1/4 sec, 1/3 sec, 30IRE)	Min. illumination	Color: 0.05Lux @ (F1.6, AGC ON) B/W: 0.01Lux @ (F1.6, AGC ON)
Streaming	Primary: H.264, secondary x3: H.264/MJPEG, VBR/CBR	Streaming	Dual streams in H.264 and motion JPEG, VBR/CBR
Features	AGC, AE, AWB, TDN, DNR, BLC, ACCE, DSS, WDR, EIS, defog, OSD	Features	BLC, AGC, AWB, WDR, DNR, OSD, day & night auto/colour / BW (IR-Cut filter removable)
Standards protocols	ONVIF Profile S, PSIA - IPv4/6, TCP, UDP, HTTP, HTTPS, IGMP(Multicast), DHCP, FTP, RTP RTSP, SNMP, SMTP, UPnP, DDNS, WS-Discovery, zero configuration	Standards protocols	ONVIF, PSIA, CGI - TCP/IP, HTTP, DHCP, DNS, DDNS, RTP, RTSP, PPPoE, SMTP, NTP, UPnP, SNMP, FTP, 802.1x, QoS, HTTPS, IPv6
18x Q1765 network camera		32x SNZ-6320 HD IP camera	
Image sensor	Progressive scan RGB CMOS 1/2.9"	Image sensor	Progressive scan CMOS 1/2.8"
Resolution	1920x1080 (HDTV 1080p) to 320x180	Resolution	Resolution: 1920x1080 @60fps to 320x180
Lens	18x zoom 4.7-84.6 mm F1.6 to F2.8, angle of view 59° - 4°, 12X digital zoom, auto focus, auto iris	Lens	32x optical 16x digital zoom 4.44-142.6 mm F1.6 to F4.4, horizontal angle of view 62.8° - 2.23°
Min. illumination	Color: 0.5 lux at 30 IRE F1.6, B/W: 0.04 lux at 30 IRE F1.6	Min. illumination	Colour : 0.3Lux (1/30sec, F1.6, 50IRE), B/W : 0.03Lux (1/30sec, F1.6, 50IRE)
Streaming	Multiple, individually configurable streams in H.264 and motion JPEG, VBR/CBR	Streaming	H.264, MJPEG dual codec, multiple streaming, VBR/CBR
Features	BLC, AGC, AWB, WDR, OSD, day & night auto/colour / BW (IR-Cut filter removable)	Features	Intelligent video analytics, motion detection, day & night (ICR), WDR (120dB), auto focus, auto Iris, AGC, SSSDR, ATW, SSNR III, BLC, DIS, Defog
Standards protocols	ONVIF, IPv4/v6, HTTP, HTTPS, SSL/TLS, QoS Layer 3 DiffServ, FTP, CIFS/SMB, SMTP, Bonjour, UPnP, SNMPv1/v2c/v3 (MIB-II), DNS, DynDNS, NTP, RTSP, RTP, TCP, UDP, IGMP, RTCP, ICMP, DHCP, ARP, SOCKS	Standards protocols	ONVIF Profile S, TCP/IP, UDP/IP, RTP(UDP), RTP(TCP), RTCP, RTSP, NTP, HTTP, HTTPS, SSL, DHCP, FTP, SMTP, ICMP, IGMP, SNMPv1/v2c/v3(MIB-2), ARP, DNS, DDNS, QoS, PIM-SM, UPnP, Bonjour

General arrangement drawing (all dimensions in mm)



Ordering requirements

The following code is designed to help in selection of the correct unit. Build up the reference number by inserting the code for each component into the appropriate box

