

# XF60 day/night IP hybrid series

Explosion proof  
fixed camera station



## Overview

The Oxalis XF60 is an explosion protected fixed camera housing for use in hazardous areas in onshore, offshore, marine and heavy industrial environments.

The camera housings are designed for longevity in harsh environments with minimal maintenance.

The large format housing allows the installation of custom specified camera, lens and transmission equipment subject to conformity to certification, physical fit and acceptance.

## Features

- ATEX, IECEx, Class 1 Division 1 and Zone 1 Certified
- Electro-polished 316L stainless steel on all welded assemblies
- Pole or Wall mounting options (see separate datasheets)
- Supply voltage options (24 VAC, 110 or 230 VAC)
- Operating temperature from -60°C to +60°C\*
- IP66/67 (IP68)

\*Model dependent



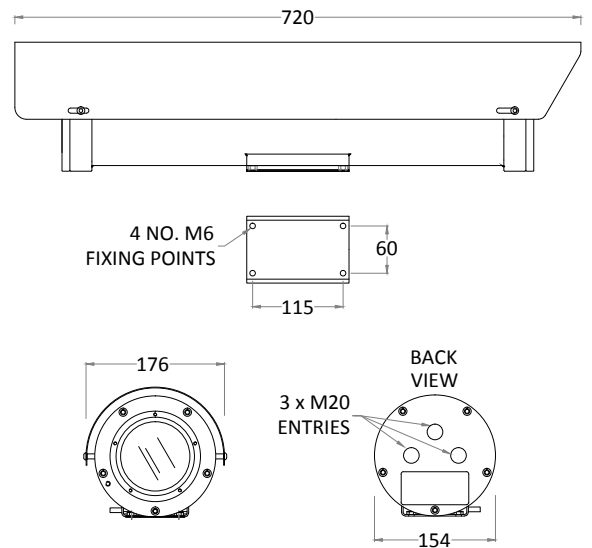
## Certifications

ATEX	II 2 G Ex db (op pr) IIC T4 (T5 & T6 On Request)Gb. II 2 D Ex tb (op pr) IIIC T135°C Db IP6x Certificate Number: ITS16ATEX101021X
IECEX	Ex db (op pr) IIC T4 (T5 & T6 On Request)Gb. Ex tb (op pr) IIIC T135°C Db IP6x. Certificate Number:IECEX ITS 15.0068X
INMETRO	Ex d IIC T4 (T5 On Request) Gb -60° C ≤Ta ≤+60°C Ex tb IIIC T135° C Db IP66/67. Certificate Number: TUV 12.1080X / TUV 12.1081X
LCus C1/Z1	Class 1 Zone 1 A Ex d IIC T4 (T5 On Request) LC13A11396 Gb -60° C ≤Ta ≤+60° C. UL 60079-0:2009 & 60079-1:2009 Certificate Number: 11396-1S-UL
cLCus C1/D1	Class I, Division 1, Groups B, C, D, -60° C ≤Ta ≤60°C T4/ Class II, Division 1, Groups E, F, G IP67. CSA-C22.2 No:30-M1986 No:25-1966(R2009) CSA-C22.2 No:60065-03(R2012) & UL1203,UL60065(ED.7) Certificate Number: 11671-1S / 11677-1S
cLC CSA	Ex d IIC T4 (T5 On Request) LC1311396 -60° C ≤Ta ≤+60°C. CAN CSA-C22.2 No.60079-0:2011 & 60079-1-2011 Certificate Number: 11396-1S-CSA
TR CU GOST	IEx d IIC T4X (T5 & T6 On Request) -60° C ≤Ta ≤+60° C Ex tb IIIC T135° C Db IP67. Certificate Number: TCRUGB.r6.B00318
CCOE	Ex d IIC (T5 & T6 On Request) -60° C ≤Ta ≤+60° C Gb Ex tb IIIC T130° C Db IP6x Certificate Number: P306928/1/2
CNEX	Ex d IIC T4/T5/T6 GB / Ex tb IIIC 135° C Db IP6X. Certificate Number: 132.2980X / 13.2981X
CERTEX	II 2 G Ex d (op pr) IIC T4 (T5 & T6 On Request) II 2 D Ex tb IIIC T135° C Db IP6x. Certificate Number: S-XPL-14.1340X

## Specifications

<b>Certification part number</b>	Housing options 2410-00, 2410-01, 2410-02
<b>Features</b>	
<b>Sun shield</b>	Standard stainless steel 316L mirror finish
<b>Integral wiper</b>	Optional (Silicone wiper blades that are resistant and do not perish after long exposure to ozone, UV, ice, snow, heat or cold)
<b>Integral demister</b>	Standard
<b>Integral washer pump</b>	Optional
<b>Washer systems</b>	Compatible with Oxalis XW or XWP washer tanks (see separate datasheets)
<b>Telemetry receiver</b>	Integral - Pelco D
<b>Integral IP encoder</b>	Includes integral video encoder, H.264 / M-JPEG/MPEG-4, low latency, triple streaming, D1, 2CIF, CIF and VGA resolution, 25fps (30fps - NTSC) for use with analogue camera modules Optional nonstandard encoder, subject to acceptance, conformity to regulation and testing
<b>IP direct fibre out</b>	Optional media converter, simplex singlemode 9/125µm or Multimode 50/125µm, 10/100Mb Ethernet, IEEE 802.3
<b>IP over coax</b>	Optional integrated IP Ethernet-over-coax converter (must be used with compatible Rx equipment)
<b>Ingress protection rating</b>	IP66/67, IP68 (1.5m for 24 hours)
<b>Electrical</b>	
<b>Supply voltage options</b>	24 VAC, 110 or 230 VAC, 50/60Hz
<b>Power consumption</b>	37W Maximum (65W with low temperature operation)
<b>Electrical connections</b>	Terminal block for power, data and video specific to camera configuration
<b>Cable entry</b>	Three M20 entries located in housing rear flange or one M20 side entry with integral pump
<b>Mechanical</b>	
<b>Body material</b>	Electro-polished 316L stainless steel on all welded assemblies
<b>Fixings material</b>	A4 stainless steel
<b>Camera station window</b>	Toughened glass
<b>Mounting options</b>	Pole or wall (see separate datasheets)
<b>Operating temperature</b>	From -60°C to +60°C (model dependent)
<b>Weight (Kg)</b>	Up to 21Kg depending on configuration
<b>Camera options</b>	
<b>1/4" CCD 36x zoom camera</b>	
<b>Image sensor</b>	1/4" EXview HAD CCD (progressive scan)
<b>Resolution</b>	High resolution mode on: 550 TV lines (default)
<b>Lens</b>	36x zoom 3.4-122.4 mm F1.6 to F4.5, horizontal angle of view 57.8°- 1.7°, 12X digital zoom, auto focus, auto iris
<b>Min. illumination</b>	1/60 s, 1/50 s mode: 1.4 Lux, 1/4 s, 1/3 s mode: 0.1 Lux, 1/4 s, 1/3 s mode& ICR On: 0.01 Lux
<b>S/N ratio</b>	>50dB
<b>Features</b>	ATW, day & night auto/colour / BW (IR-cut filter removable), camera title ON/OFF
<b>1/3" CMOS varifocal camera</b>	
<b>Image sensor</b>	1/3" 1.3m CMOS
<b>Resolution</b>	Upto 1000 TV lines
<b>Lens</b>	1/3" CS-M 5.0 - 50.0 mm F1.3 - 360 aspherical varifocal, DC auto iris
<b>Min. illumination</b>	Colour : 0.03 Lux (50IRE@F1.2), 0.0003 Lux (1sec F1.2 30IRE) B/W 0.003 Lux (50 IRE@F1.2), 0.000003 Lux (1sec F1.2 30IRE)
<b>S/N ratio</b>	>52dB
<b>Features</b>	WDR 120Db, ATW, SSNRIV, HLC, BLC, SSSDR, DIS, defog, day & night auto/colour / BW

## General arrangement drawing (all dimensions in mm)



# Ordering requirements

The following code is designed to help in selection of the correct unit. Build up the reference number by inserting the code for each component into the appropriate box

XF60

Housing type	Code
Visual camera housing	V
Visual camera housing with integral washer pump	P

Wiper options	Code
Integral wiper with switched 24VAC for external washer pump	E
Integral wiper	W
No wiper	N

Video type	Code
Integral IP video encoder	H
Hybrid analogue IP system with nonstandard IP encoder	S

Day/night module	Code
1/4" CCD 36x zoom camera	4
1/3" CMOS varifocal camera	E
Customer specific camera	C

Thermal core module	Code
No thermal core	N

Thermal core lens	Code
No thermal imaging lens	N

Video system	Code
PAL	P
NTSC	N

Supply voltage	Code
24 VAC ±10% 50/60 Hz	1
110 VAC ±10% 50/60 Hz	2
230 VAC ±10% 50/60 Hz	3
Special - price on application	S

Camera rotation	Code
Not applicable	N

Transmission type	Code
Standard electrical	0
Simplex singlemode 9/125µm ethernet	3
Simplex multimode 50/125µm ethernet	4
IP over coax	5
Customer specific transmission device	C

Temperature type	Code
T4, -20°C to +60°C	1
T4, -40°C to +60°C	2
T4, -60°C to +40°C	3
T5, -20°C to +60°C*	4
T5, -40°C to +60°C*	5
T5, -60°C to +40°C*	6
T6, -20°C to +40°C*	7
T6, -40°C to +40°C*	8
T6, -60°C to +40°C*	9

\*Subject to configuration restrictions

Certification	Code
ATEX	A
IECEX	I
INMETRO	M
LCus C1, Z1	U
cLCus C1, D1	Z
cLC CSA	C
GOST-R	R
CCOE	D
CNEX	X
CERTEX	T

Protocol requirements	Code
Pelco D protocol, baud rate 2400bps	D