

# XF26 HD IP series - UL range

Fixed camera station,  
hazardous location



## Overview

The Oxalis XF26 is an explosion protected fixed camera housing for use in hazardous areas in onshore, offshore, marine and heavy industrial environments.

The camera housings are designed specifically for the Americas markets or where UL standards on Class and Division have been specified. As a result they utilise NPT entries as standard to maximise compatibility with existing fixed conduit installations.

Our camera stations are designed and manufactured for longevity in harsh environments, require minimal maintenance and are fully certified to UL standards as required by OSHA in both safe and hazardous areas.

See separate datasheet for ATEX/IECEX & other zone certification ranges.

## Features

- Class 1 Division 1 and Zone 1 certified
- Electro-polished 316L stainless steel on all welded assemblies
- Camera station window in toughened glass
- Pole or wall mounting options (see separate datasheets)
- NPT entries as standard
- Various camera module options
- Options also available for IP, analogue, hybrid, IP over Coax and direct fibre out\* - see specific datasheet
- Supply voltage options 24 VAC
- Certified temperature from -58°F to +158°F\* (ranging from T4 - T6)
- IP66/67

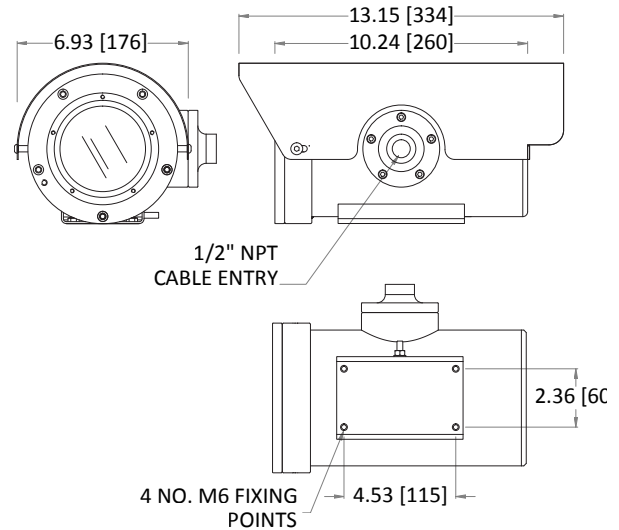
\*Model dependent



## Certifications

UL C1/D1	Class I, Division 1, Groups B, C, D, T4A(T5 & T6 On Request) Class II, Division 1, Groups E, F, G IP67 Class 1 Zone 1 A Ex d IIB + Hydrogen T4 (T5 On Request)
----------	--

## General arrangement drawing (dimensions in inches and mm)



## Specifications

<b>Certification part number</b>	Housing options OXALIS-UL2410-04, 2410-05		
<b>Features</b>		<b>Electrical</b>	
<b>Sun shield</b>	Standard stainless steel 316L mirror finish	<b>Supply voltage options</b>	24 VAC
<b>Integral wiper</b>	No wiper	<b>Power consumption</b>	18W maximum (45W with low temperature operation)
<b>Integral demister</b>	Standard	<b>Electrical connections</b>	Terminal block for power, data and video specific to camera configuration
<b>Washer systems</b>	No washer	<b>Cable entry</b>	1 x 1/2" NPT located on housing side
<b>IP over coax</b>	Optional integrated IP Ethernet-over-coax converter subject to configuration restrictions (must be used with compatible Rx equipment)	<b>Mechanical</b>	
<b>Ingress protection rating</b>	IP66/67, IP68 (1.5m for 24 hours)	<b>Body material</b>	Electro-polished 316L stainless steel on all welded assemblies
		<b>Fixings material</b>	A4 stainless steel
		<b>Camera station window</b>	Toughened glass
		<b>Mounting options</b>	Pole or wall (see separate datasheets)
		<b>Operating temperature</b>	From -58°F to +158°F (model dependent)
		<b>Weight (lb)</b>	Up to 18lb depending on configuration
<b>Camera options</b>			
<b>30x zoom HD IP camera</b>			
<b>Image sensor</b>	1/2.8" Exmor CMOS		
<b>Resolution</b>	1920x1080 @60fps to 352x240		
<b>Lens</b>	30x zoom 4.3-129 mm F1.6 to F4.7, horizontal angle of view 67.7° - 2.3°, 12X digital zoom, auto focus, auto Iris		
<b>Min. illumination</b>	Colour ICR-Off: 0.35 Lux(1/30 Sec, 50IRE)0.05 Lux (1/4 sec, 1/3 sec, 50IRE). B/W ICR-On: 0.013 lx (1/30 sec, 50IRE) 0.002 lx (1/4 sec, 1/3 sec, 30IRE)		
<b>Streaming</b>	Primary: H.264, secondary x3: H.264/MJPEG, VBR/CBR		
<b>Features</b>	AGC, AE, AWB, TDN, DNR, BLC, ACCE, DSS, WDR, EIS, defog, OSD		
<b>Standards protocols</b>	ONVIF Profile S, PSIA - IPv4/6, TCP, UDP, HTTP, HTTPS, IGMP(Multicast), DHCP, FTP, RTP RTSP, SNMP, SMTP, UPnP, DDNS, WS-Discovery, zero configuration		
<b>20x zoom HD IP camera</b>			
<b>Image sensor</b>	Progressive scan CMOS 1/2.8"		
<b>Resolution</b>	1920x1080 30fps		
<b>Lens</b>	20x zoom 4.7-94mm F1.6 to F3.5, angle of view 61.4° - 2.9°, 10X digital zoom, auto focus, auto Iris		
<b>Min. illumination</b>	Color: 0.05Lux @ (F1.6, AGC ON) B/W: 0.01Lux @ (F1.6, AGC ON)		
<b>Streaming</b>	Dual streams in H.264 and motion JPEG, VBR/CBR		
<b>Features</b>	BLC, AGC, AWB, WDR, DNR, OSD, day & night auto/colour / BW (IR-Cut filter removable)		
<b>Standards protocols</b>	ONVIF Profile S, PSIA, CGI -TCP/IP, HTTP, DHCP, DNS, DDNS, RTP, RTSP, PPPoE, SMTP, NTP, UPnP, SNMP, FTP, 802.1x, QoS, HTTPS, IPv6		
<b>32x zoom HD IP camera</b>			
<b>Image sensor</b>	Progressive scan CMOS 1/2.8"		
<b>Resolution</b>	Resolution: 1920x1080 @60fps to 320x180		
<b>Lens</b>	32x optical 16x digital zoom 4.44-142.6 mm F1.6 to F4.4, horizontal angle of view 62.8° - 2.23°		
<b>Min. illumination</b>	Colour : 0.3Lux (1/30sec, F1.6, 50IRE), B/W : 0.03Lux (1/30sec, F1.6, 50IRE)		
<b>Streaming</b>	H.264, MJPEG dual codec, multiple streaming, VBR/CBR		
<b>Features</b>	Intelligent video analytics, motion detection, day & night (ICR), WDR (120dB), auto focus, auto Iris, AGC, SSSDR, ATW, SSSNR, BLC, DIS, Defog		
<b>Standards protocols</b>	ONVIF Profile S, TCP/IP, UDP/IP, RTP(UDP), RTP(TCP), RTCP, RTSP, NTP, HTTP, HTTPS, SSL, DHCP, FTP, SMTP, ICMP, IGMP, SNMpv1/v2c/v3(MIB-2), ARP, DNS, DDNS, QoS, PIM-SM, UPnP, Bonjour		

# Ordering requirements

The following code is designed to help in selection of the correct unit. Build up the reference number by inserting the code for each component into the appropriate box

