

# XF60 day/night IP hybrid series - UL range

Fixed camera station,  
hazardous location



## Overview

The Oxalis XF60 is an explosion protected fixed camera housing for use in hazardous areas in onshore, offshore, marine and heavy industrial environments. The large format housing allows the installation of customised equipment (subject to conformity).

The camera housings are designed specifically for the Americas markets or where UL standards on Class and Division have been specified. The camera utilises NPT entries as standard to maximise compatibility with existing fixed conduit installations.

Our camera stations are designed and manufactured for longevity in harsh environments, require minimal maintenance and are fully certified to UL standards as required by OSHA in both safe and hazardous areas.

See separate datasheet for ATEX/IECEX & other zone certification ranges.

## Features

- Class 1 Division 1 and Zone 1 certified
- Electro-polished 316L stainless steel on all welded assemblies
- Camera station window in toughened glass
- Pole or wall mounting options (see separate datasheets)
- NPT entries as standard
- Various camera module options
- Options also available for IP, analogue, hybrid, IP over Coax and direct fibre out\* - see specific data sheet
- Supply voltage options (24 VAC, 110 or 230 VAC, 50/60Hz)
- Certified temperature from -58°F to +158°F\* (ranging from T4 - T6)
- IP66/67

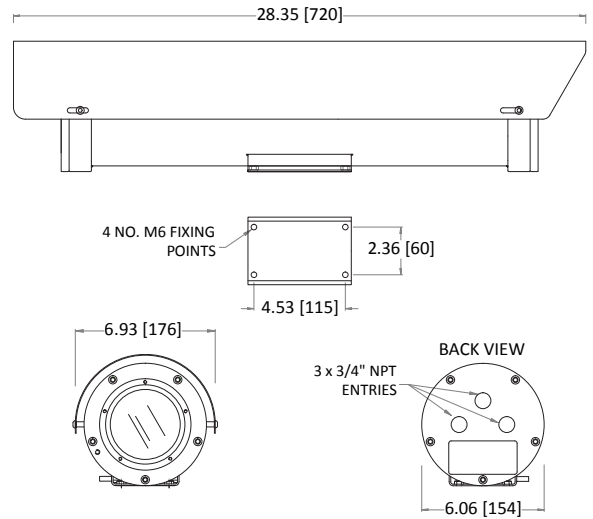
\*Model dependent



## Certifications

UL C1/D1	Class I, Division 1, Groups B, C, D, T4A(T5 & T6 On Request) Class II, Division 1, Groups E, F, G IP67 Class 1 Zone 1 A Ex d IIB + Hydrogen T4 (T5 On Request)
----------	--

## General arrangement drawing (dimensions in inches and mm)



## Specifications

<b>Certification part number</b>	Housing options OXALIS-ULS2410-00, 2410-01, 2410-02		
<b>Features</b>		<b>Electrical</b>	
<b>Sun shield</b>	Standard stainless steel 316L mirror finish	<b>Supply voltage options</b>	24 VAC, 110 or 230 VAC, 50/60Hz
<b>Integral wiper</b>	Optional (Silicone wiper blades that are resistant and do not perish after long exposure to ozone, UV, ice, snow, heat or cold)	<b>Power consumption</b>	37W maximum (65W with low temperature operation)
<b>Integral demister</b>	Standard	<b>Electrical connections</b>	Terminal block for power, data and video specific to camera configuration
<b>Integral washer pump</b>	Optional	<b>Cable entry</b>	3 x 3/4" NPT located in rear flange
<b>Washer systems</b>	Compatible with Oxalis XW or XWP washer tanks (see separate datasheets)	<b>Mechanical</b>	
<b>Telemetry receiver</b>	Integral - Pelco D standard protocol (others to specification)	<b>Body material</b>	Electro-polished 316L stainless steel on all welded assemblies
<b>Integral IP encoder</b>	Includes integral video encoder, H.264 / M-JPEG/MPEG-4, low latency, triple streaming, D1, 2CIF, CIF and VGA resolution, 25fps (30fps - NTSC) for use with analogue camera modules Optional nonstandard encoder, subject to acceptance, conformity to regulation and testing	<b>Fixings material</b>	A4 stainless steel
<b>IP direct fibre out</b>	Optional integrated media converter, simplex singlemode 9/125µm or Multimode 50/125µm, 10/100Mb Ethernet, IEEE 802.3	<b>Camera station window</b>	Toughened glass
<b>IP over coax</b>	Optional integrated IP Ethernet-over-coax converter (must be used with compatible Rx equipment)	<b>Mounting options</b>	Pole or wall (see separate datasheets)
<b>Ingress protection rating</b>	IP66/67, IP68 (1.5m for 24 hours)	<b>Operating temperature</b>	From -58°F to +158°F (model dependent)
		<b>Weight (lb)</b>	Up to 46lb depending on configuration

### Camera options

#### 1/3" CMOS varifocal camera

<b>Image sensor</b>	1/3" 1.3m CMOS
<b>Resolution</b>	Upto 1000 TV lines
<b>Lens</b>	1/3" CS-M 5.0 - 50.0 mm F1.3 - 360 aspherical varifocal, DC Auto Iris
<b>Min. illumination</b>	Colour : 0.03 Lux (50IRE@F1.2), 0.0003 Lux (1sec F1.2 30IRE) B/W 0.003 Lux (50 IRE@F1.2), 0.000003 Lux (1sec F1.2 30IRE)
<b>S/N ratio</b>	>52dB
<b>Features</b>	WDR 120Db, ATW, SSNRIV, HLC, BLC, SSSDR, DIS, Defog, Day & Night Auto/Colour / BW

#### 1/4" CCD 36x zoom camera

<b>Image sensor</b>	1/4" EXview HAD CCD (progressive scan)
<b>Resolution</b>	High resolution mode on: 550 TV lines (default)
<b>Lens</b>	36x zoom 3.4-122.4 mm F1.6 to F4.5, horizontal angle of view 57.8° - 1.7° , 12X digital zoom, auto focus, auto iris
<b>Min. illumination</b>	1/60 s, 1/50 s mode: 1.4 Lux, 1/4 s, 1/3 s mode: 0.1 Lux, 1/4 s, 1/3 s mode& ICR On: 0.01 Lux
<b>S/N ratio</b>	>50dB
<b>Features</b>	ATW, day & night auto/colour / BW (IR-Cut filter removable), camera title ON/OFF

# Ordering requirements

The following code is designed to help in selection of the correct unit. Build up the reference number by inserting the code for each component into the appropriate box

