

# XC26 day/night analogue series

Explosion proof, PTZ  
camera station



## Overview

The Oxalis XC26 is an explosion protected PTZ camera station for use in hazardous areas in onshore, offshore, marine and heavy industrial environments.

The camera stations are designed for longevity in harsh environments with minimal maintenance.

## Features

- ATEX, IECEx, Class 1 Division 1 and Zone 1 certified
- Electro-polished 316L stainless steel on all welded assemblies
- Pole or wall mounting options (see separate datasheets)
- Supply voltage options 24 VAC
- Operating temperature -60°C to +70°C\*
- IP66/67

\*Model dependent



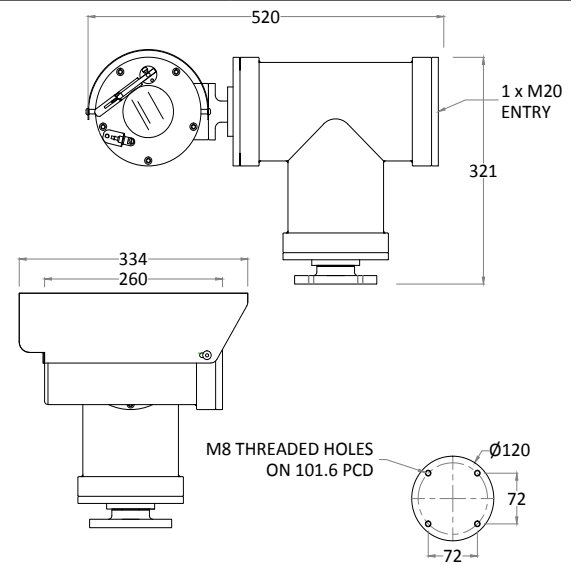
## Certifications

ATEX	II 2 G Ex db (op pr) IIC T4 (T5 & T6 On Request)Gb. II 2 D Ex tb (op pr) IIIC T135°C Db IP6x Certificate Number: ITS16ATEX101021X
IECEX	Ex db (op pr) IIC T4 (T5 & T6 On Request)Gb. Ex tb (op pr) IIIC T135°C Db IP6x Certificate Number:IECEX ITS 15.0068X
INMETRO	Ex d IIC T4 (T5 On Request) Gb -60°C≤Ta≤+60°C Ex tb IIIC T135°C Db IP66/67 Certificate Number: TUV 12.1080X / TUV 12.1081X
LCus C1/Z1	Class 1 Zone 1 A Ex d IIC T4 (T5 On Request) LC13A11396 Gb -60°C≤Ta≤+60°C. UL 60079-0:2009 & 60079-1:2009 Certificate Number: 11396-1S-UL
cLCus C1/D1	Class I, Division 1, Groups B, C, D, -60°C≤Ta≤+60°C T4/ Class II, Division 1, Groups E, F, G IP67 CSA-C22.2 No:30-M1986 No:25-1966(R2009) CSA-C22.2 No:60065-03(R2012) & UL1203,UL60065(ED.7) Certificate Number: 11671-1S / 11677-1S
cLC CSA	Ex d IIC T4 (T5 On Request) LC1311396 -60°C≤Ta≤+60°C CAN CSA-C22.2 No.60079-0:2011 & 60079-1-2011 Certificate Number: 11396-1S-CSA
TR CU GOST	IEEx d IIC T4X (T5 & T6 On Request) -60°C≤Ta≤+60°C Ex tb IIIC T135°C Db IP67 Certificate Number: TCRUGB.r5.B00318
CCOE	Ex d IIC (T5 & T6 On Request) -60°C≤Ta≤+60°C Gb Ex tb IIIC T130°C Db IP6x Certificate Number: P306928/1/2
CNEX	Ex d IIC T4/T5/T6 GB / Ex tb IIIC 135°C Db IP6X Certificate Number: 132.2980X / 13.2981X
CERTEX	II 2 G Ex d (op pr) IIC T4 (T5 & T6 On Request) II 2 D Ex tb IIIC T135°C Db IP6x Certificate Number: S-XPL-14.1340X

## Specifications

<b>Certification part number</b>	P&T 1420-11, Housing options 2410-04, 2410-05
<b>Features</b>	
<b>Sun shield</b>	Standard stainless steel 316L mirror finish
<b>Integral wiper</b>	Optional (silicone wiper blades that are resistant and do not perish after long exposure to ozone, UV, ice, snow, heat or cold)
<b>Integral demister</b>	Standard
<b>Washer systems</b>	Compatible with Oxalis XW or XWP washer tanks (see separate datasheets)
<b>Pan speed (maximum)</b>	45° per second
<b>Tilt speed (maximum)</b>	24° per second
<b>Pre-set positional accuracy</b>	64 presets: positional accuracy±0.1°
<b>Telemetry receiver</b>	Integral - Pelco D, P standard protocols (others to specification)
<b>Rotation</b>	350° rotation (+/- 175° from straight ahead)
<b>Ingress protection rating</b>	IP66/67
<b>Type approval</b>	DNV 2.4 2006 ABCD (copper transmission only)
<b>Electrical</b>	
<b>Supply voltage options</b>	24 VAC
<b>Power consumption</b>	85W maximum (143W with low temperature operation)
<b>Electrical connections</b>	Trailing cable tail for connection to external enclosure
<b>Cable entry</b>	Single M20 entry located in P&T
<b>Mechanical</b>	
<b>Body material</b>	Electro-polished 316L stainless steel on all welded assemblies
<b>Fixings material</b>	A4 stainless steel
<b>Camera station window</b>	Toughened glass
<b>Mounting options</b>	Pole or wall (see separate datasheets)
<b>Operating temperature</b>	From -60°C to +70°C (model dependent)
<b>Weight (Kg)</b>	Up to 38Kg depending on configuration
<b>Camera options</b>	
<b>1/4" CCD 36x zoom camera</b>	
<b>Image sensor</b>	1/4" EXview HAD CCD (progressive scan)
<b>Resolution</b>	High resolution mode on: 550 TV lines (default)
<b>Lens</b>	36x zoom 3.4-122.4 mm F1.6 to F4.5, horizontal angle of view 57.8°- 1.7°, 12X digital zoom, auto focus, auto iris
<b>Min. illumination</b>	1/60 s, 1/50 s mode: 1.4 Lux, 1/4 s, 1/3 s mode: 0.1 Lux, 1/4 s, 1/3 s mode& ICR On: 0.01 Lux
<b>S/N ratio</b>	>50dB
<b>Features</b>	ATW, day & night auto/colour / BW (IR-cut filter removable), camera title ON/OFF

## General arrangement drawing (all dimensions in mm)



# Ordering requirements

The following code is designed to help in selection of the correct unit. Build up the reference number by inserting the code for each component into the appropriate box

