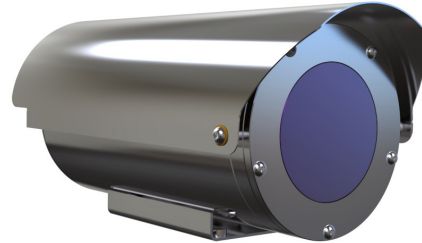


SF26 thermal image analogue series

Fixed camera station



Overview

The Oxalis SF26 is a fixed camera housing for use in onshore, offshore, marine and heavy industrial environments.

The camera housings are designed for longevity in harsh environments with minimal maintenance. This datasheet covers the thermal imaging configurations.

Features

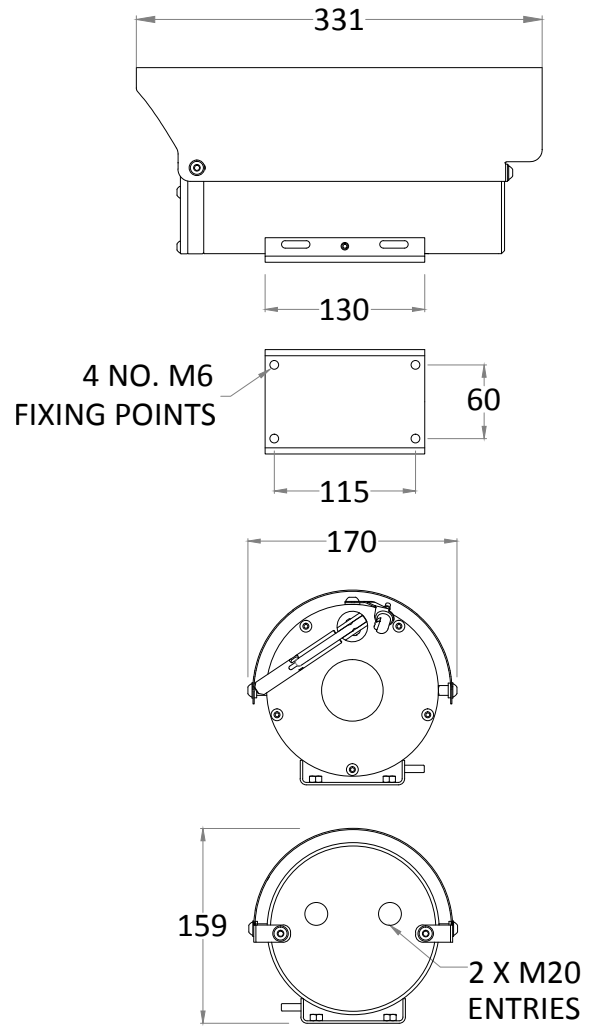
- Electro-polished 316L stainless steel on all welded assemblies
- Compatible with Oxalis SW washer tanks (see separate datasheets)
- Pole or wall mounting options (see separate datasheets)
- Supply voltage options (24 VAC, 50/60Hz)
- Operating temperature from -60°C to -70°C*
- IP66/67

*Model dependent

Specifications

Features	
Sun shield	Standard stainless steel 316L mirror finish
Integral wiper	Optional (silicone wiper blades that are resistant and do not perish after long exposure to ozone, UV, ice, snow, heat or cold)
Integral demister	Standard
Washer systems	Compatible with Oxalis SW washer tanks (see separate datasheets)
Telemetry receiver	Integral - Pelco D, P standard protocols (others to specification)
Ingress protection rating	IP66/67
Type approval	DNVGL-CG-0339, 2016 (copper transmission only)
Electrical	
Supply voltage options	24 VAC, 50/60Hz
Power consumption	17W Maximum (45W with low temperature operation)
Electrical connections	Terminal block for power, data and video specific to camera configuration
Cable entry	Two M20 entries located in housing rear side
Mechanical	
Body material	Electro-polished 316L stainless steel on all welded assemblies
Fixings material	A4 stainless steel
Camera station window	Internal AR and external carbon coated germanium Ø50 mm
Mounting options	Pole or wall (see separate datasheets)
Operating temperature	From -60° C to +70° C (model dependent)
Weight (Kg)	Up to 8Kg depending on configuration
Thermal core module options	
T336 7.5-8.3Hz	Uncooled VOx microbolometer thermal imaging camera, including TCI Interface PCB for functionality over standard RS485 protocol Commands. 336 x 256 resolution, 17µ pixel size, 7.5Hz NTSC/8.3Hz PAL exportable frame rate, digital detail enhancement
T640 7.5-8.3Hz	Uncooled VOx microbolometer thermal imaging camera, including TCI Interface PCB for functionality over standard RS485 protocol Commands. 640 x 512 resolution (PAL), 17µ pixel size, 7.5Hz NTSC/8.3Hz PAL exportable frame rate, digital detail enhancement
T336 25-30Hz	Uncooled VOx microbolometer thermal imaging camera, including TCI Interface PCB for functionality over standard RS485 protocol Commands. 336 x 256 resolution, 17µ pixel size, 30Hz NTSC/25Hz PAL frame rate, digital detail enhancement. Subject to export restrictions and licensing
T640 25-30Hz	Uncooled VOx microbolometer thermal imaging camera, including TCI Interface PCB for functionality over standard RS485 protocol Commands. 640 x 512 resolution (PAL), 17µ pixel size, 30Hz NTSC/25Hz PAL frame rate, digital detail enhancement. Subject to export restrictions and licensing
Thermal core lens options	
19mm lens	FoV 17° x 13° (336 x 256) / FoV 32° x 26° (640 x 512) Detection of object 4m x 1.5m: Typical 1550m
25mm lens	FoV 13° x 10° (336 x 256) / FoV 25° x 20° (640 x 512) Detection of object 4m x 1.5m: Typical 2200m
35mm lens	FoV 9.3° x 7.1° (336 x 256) / FoV 18° x 14° (640 x 512) Detection of object 4m x 1.5m: Typical 3000m

General arrangement drawing (all dimensions in mm)



Ordering requirements

The following code is designed to help in selection of the correct unit. Build up the reference number by inserting the code for each component into the appropriate box

SF26														
------	--	--	--	--	--	--	--	--	--	--	--	--	--	--

Housing type **Code**
 Thermal imaging housing with 90mm germanium window T

Transmission type **Code**
 Standard electrical 0
 Customer specific transmission device C

Wiper options **Code**
 Integral wiper switched 24VAC for external washer pump E
 No wiper N

Temperature type **Code**
 -20°C to +70°C* A
 -40°C to +70°C* B
 -20°C to +60°C 1
 -40°C to +60°C 2
 -60°C to +40°C 3
 *Subject to configuration restrictions

Video type **Code**
 Analogue video A

Certification **Code**
 No Ex certification required N

Day/night module **Code**
 No D/N camera fitted N

Thermal core module **Code**
 T336 7.5-8.3Hz 8
 T640 7.5-8.3Hz 2
 T336 25-30Hz 9
 T640 25-30Hz 4
 Customer specific thermal camera C

Protocol requirements **Code**
 Pelco D protocol, baud rate 2400bps D
 Pelco P protocol, baud rate 4800bps P
 Vicon protocol, baud rate 4800bps V
 HERNIS™ protocol H
 Coe protocol C
 Special - price on application S
 No control protocol required N

Thermal core lens **Code**
 19mm lens 1
 25mm lens 2
 35mm lens 3
 Customer specific thermal imaging lens C

Camera rotation **Code**
 Not applicable N

Supply voltage **Code**
 24 VAC ±10% 50/60 Hz 1
 Special - price on application S

Video system **Code**
 PAL P
 NTSC N